



INSTALLATION AND OPERATION MANUAL

RELIANCE

RLFDX232 Series

SUBSTATION-RATED RS-232 & TTL LOGIC DATA LINK/REPEATER FOR REPLACEMENT OF GARRETTCOM/DYMEC 5843 & 5844 SERIES

**This manual serves the following
ComNet Model Numbers:**

RLFDX232M2/24DC

RLFDX232M2/HV

RLFDX232M2/48DC

RLFDX232S2/24DC

RLFDX232S2/HV

RLFDX232S2/48DC

The ComNet™ RLFDX series of serial data link/repeaters are substation-rated and industrially hardened form, fit, function and completely backwards-compatible replacements for the popular Garrettcom/Dymec 5843 & 5844 series of RS-232 serial data link/repeaters. They are designed for deployment in environments where high levels of electromagnetic noise and interference (EMI) and severe voltage transients and surges are routinely encountered, such as electrical utility substations and switchyards, heavy manufacturing facilities, trackside and roadside electronic equipment, and other difficult out-of-plant applications. Optical connectivity provides significantly extended transmission distances compared to copper media; high levels of electrical isolation; enhanced reliability and protection for peripheral IEDs, RTUs, and other equipment; and operational safety.

The RLFDX series of serial data link/repeaters are easily field-configurable for point-to-point, point-to-multipoint/Local-Remote, loop, or bus topologies. They may be also used for electrical data protocol translation: an RLFDX232-series RS-232 modem and IED/RTU can communicate directly with an RLFDX485-series RS-422/RS-485 modem and IED/RTU.

The extremely versatile and simple-to-install RLFDX series is ideal for any mission-critical application where very high levels of reliability and network availability are of the utmost importance.

Contents

FCC/CE Regulation	4
Warranty	4
Disclaimer	4
Safety Information	4
ComNet / Garretcom Interoperability / Compatibility Listing	5
Warnings, Cautions, and Notes Used in this Publication	6
1. Introduction	7
1.1 Definitions	8
1.2 Model RLFDX232 Series Link/Repeaters	11
1.2.1 9 Pin Data Port D-connector	13
1.2.2 DTE/DCE Switch (Two Position Switch)	13
1.2.3 Data Coupling Switch	13
1.2.4 Repeat Switch	14
1.2.5 Handshaking Switch 4B	14
1.2.6 Pin 8 Current Output Option Switch 5B	14
1.2.7 Test Mode Option Switch 3B	15
1.2.8 Optical Ports	15
1.2.9 Diagnostic LEDs	16
1.2.10 Power Connections	16
1.2.10.1 Powering the 24DC Models	16
1.2.10.2 Powering the 48DC Models	17
1.2.10.3 Powering the HV Models	17
1.2.11 Peripheral Equipment	18
1.2.11.1 IED	18
1.2.11.2 Fiber Optic Cable (FOC)	18
2. Configurations, Operation, and Installation	19
2.1 Point-To-Point Configuration	20
2.1.1 Installation	21
2.2 LOOP OPERATION - Local/Remote CONFIGURATION	22
2.2.1 Installation	24
2.3 Loop Operation - Peer-To-Peer Configuration	25
2.3.1 Installation	27
3. Applications	28

3.1 Data Rate	28
3.2 Optical Budget	28
3.2.1 Cable Attenuation Factors	29
3.2.1.1 Diameter	29
3.2.1.2 Fittings	29
3.2.1.3 Aging	29
3.2.2 Extending the Distance	30
3.3 Number Of Repeats	30
3.3.1 Effects of Data Rate	31
3.3.2 Pulse Width Distortion	31
3.3.3 Temperature Effect	31
3.4 Types Of Communication	32
4. Testing And Troubleshooting	33
4.1 Testing	33
4.2 Troubleshooting	34
5. Specifications	36
5.1 Electrical and Optical Specifications	36
5.2 Outline Configuration & Mechanical Dimensions for Models RLFDX232M2/24DC and RLFDX232S2/24DC	39
5.3 Outline Configuration & Mechanical Dimensions for Models RLFDX232M2/48DC, RLFDX232S2/48DC, RLFDX232M2/HV, and RLFDX232S2/HV	40

FCC/CE Regulation

NOTE: This equipment has been tested and found to comply with the limits for a Class A digital device, pursuant to Part 15 of the FCC Rules. These limits are designed to provide reasonable protection against harmful interference when the equipment is operated in a commercial environment. This equipment generates, uses, and can radiate radio frequency energy and, if not installed and used in accordance with the instruction manual, may cause harmful interference to radio communications. Operation of this equipment in a residential area is likely to cause harmful interference in which case the users will be required to correct the interference at their own expense.

Warranty

ComNet warrants that all ComNet products are free from defects in material and workmanship for a specified warranty period from the invoice date for the life of the installation. ComNet will repair or replace products found by ComNet to be defective within this warranty period, with shipment expenses apportioned by ComNet and the distributor. This warranty does not cover product modifications or repairs done by persons other than ComNet-approved personnel, and this warranty does not apply to ComNet products that are misused, abused, improperly installed, or damaged by accidents.

Please refer to the product's data sheet for the actual warranty period(s) of the product(s) associated with this publication. Data sheets can be found at <http://www.comnet.net/comnet-products/>

Disclaimer

Information in this publication is intended to be accurate. ComNet shall not be responsible for its use or infringements on third-parties as a result of its use. There may occasionally be unintentional errors on this publication. ComNet reserves the right to revise the contents of this publication without notice.

Safety Information

- » Only ComNet service personnel can service the equipment. Please contact ComNet Technical Support.
- » Do not attempt to disassemble the link/repeaters as there are no serviceable parts within. This action will void the warranty.
- » The equipment should be installed in locations with controlled access, or other means of security, and controlled by persons of authority.

ComNet / Garretcom Interoperability / Compatibility Listing

Model	Data Format	Fiber Type	Input Power	Equivalent Dymec Model
RLFDX232M2/24DC	RS-232/TTL	Multimode	9 to 36 VDC	5843HRT
RLFDX232M2/HV	RS-232/TTL	Multimode	88 to 300 VDC / 85 to 264 VAC	5844HRT-H
RLFDX232M2/48DC	RS-232/TTL	Multimode	36 to 59 VDC	5844HRT-L
RLFDX232S2/24DC	RS-232/TTL	Single Mode	9 to 36 VDC	5843SHRT
RLFDX232S2/HV	RS-232/TTL	Single Mode	88 to 300 VDC / 85 to 264 VAC	5844SHRT-H
RLFDX232S2/48DC	RS-232/TTL	Single Mode	36 to 59 VDC	5844SHRT-L

Warnings, Cautions, and Notes Used in this Publication

WARNING

Warning notices are used in this publication to emphasize that hazardous voltages, currents, or other conditions that could cause personal injury exist in this equipment or may be associated with its use.

In situations where inattention could cause either injury or damage to equipment, a Warning notice is used.

CAUTION

Caution notices are used where equipment malfunction is possible if care is not taken.

NOTE / APPLICATION NOTE

Notes and Application Notes call attention to information that is especially significant to understanding and operating the equipment.

This document is based on information available at the time of its publication. While efforts have been made to be accurate, the information contained herein does not purport to cover all details or variations, or to provide for every possible contingency in connection with installation, operation, or maintenance.

ComNet assumes no obligation of notice to holders of this document with respect to changes subsequently made.

ComNet makes no representation or warranty, expressed, implied, or statutory with respect to, and assumes no responsibility for the accuracy, completeness, sufficiency, or usefulness of the information contained herein. No warranties of merchantability or fitness for purpose shall apply.

Permission is granted to make a reasonable number of copies of this document for the use within the organization that has purchased the equipment.

“Link/Repeater” is used exclusively to describe this family of Fiber Optic Data Links.

1. Introduction

ComNet Models RLFDX232M2/24DC, RLFDX232S2/24DC, RLFDX232M2/48DC, RLFDX232S2/48DC, RLFDX232M2/HV and RLFDX232S2/HV are data communications Link/Repeaters, which allow the replacement of copper wire media with fiber optic cable. Link/Repeaters simply convert electrical signals to light for transmission, and when received, convert the light signals back to an electrical format. This is done for RS-232 or TTL protocols.

These Link/Repeaters are passive to software protocols. They are not addressable in communication protocols, and do not provide any control logic capability to support communication protocols. Link/Repeaters are designed with several features that allow for easy installation and flexibility in configuring for various communication systems.

The multimode RLFDX232M2/XX and singlemode RLFDX232S2/XX series are functionally identical, with the exception of the operating voltage requirements.

NOTE

*This manual makes reference to the **multimode Model RLFDX232M2/24DC, RLFDX232M2/48DC, and Model RLFDX232M2/HV** when describing features and functionality of the Link/Repeaters. These descriptions generally apply to the singlemode Model RLFDX232S2/24DC, RLFDX232S2/48DC, and Model RLFDX232S2/HV as well. When different, a specific reference is made identifying the particular model(s) and their variation(s). The User should read this manual to fully understand how to use the many features of the Link/Repeaters in an effective communication system.*

1.1 Definitions

The following terms are used in this manual:

IED	An IED is any intelligent electrical device capable of RS-232 and/or TTL data communications, such as; a computer, RTU, PLC, "smart" meter, relay, etc. The IED must have resident software or firmware that manages the data communication logic, including protocol (formatting and timing), addressing capability (if required), control logic software "handshaking", and scheduling.
Point-to-Point Configuration	Two Link/Repeaters directly connected to each other.
Local/Remote Loop Configuration	More than two Link/Repeaters connected together where the fiber optic cable connects the T optical port of one device to the R optical port of the next unit in the loop. One IED is designated as the Local and controls all the communication and the other IEDs act as Remotes and respond only when specifically polled by the Local.
Peer-to-Peer Loop Configuration	More than two Link/Repeaters connected together where the fiber optic cable connects the T optical port of one device to the R optical port of the next unit in the loop. Each IED has the capability of becoming loop Local as allowed by the controlling software.
Echo	The return of the Local's transmission back to the Local after traveling around the optical loop.
Optical Bus Configuration	More than two Link/Repeaters connected together in a manner where the Local's transmission is heard by all IEDs and there is no returning echo of this transmission.
Local	The Local is the IED that controls the loop in a Local/Remote loop. This IED is responsible for the control of the loop, the polling of the Remotes for information, and the prevention of data collisions. All loop communication is echoed back to and stops at the Local. The Local's Repeat Switch is always in the "OFF" position.
Remote	A Remote is an IED that is passive in a Local/Remote loop. A Remote's communication is under the control of the Local, and should be controlled to prevent data collision in the loop. All communication generated by the Local will be repeated through each Remote and back to the Local. A Remote's Repeat Switch is always in the "ON" position.
Peer	Peers are IEDs that have equal status and each may Local the loop when allowed by the software. A Peer's Repeat Switch is always in the "OFF" position and a Peer IED controls pin 8 of its Link/Repeater in order to obtain status as loop Local.
FOC	Fiber Optic Cable.
Single-mode	Single-mode fibers generally have diameters of 5µm to 13µm. Because of this small core, only one axial path for light propagation is available through the fiber. The optics required to drive single-mode fiber have to be highly focused so that minimum dispersion occurs. Although more costly optical emitters are required, the major benefit is that longer transmission distances (< 35 km) can be achieved.

Multi-mode	Multi-mode fibers have core diameters of 50µm and larger. This larger core allows the light rays to be propagated along several different paths down the fiber. The different paths include an axial component as well as reflected components. Multi-mode units are economical and effective for optical transmission over distances up to 6 km.
Repeat Switch	The Repeat Switch enables (REP) or disables (OFF) the repeater function of the Link/Repeater.
DTE/DCE Switch	Each Link/Repeater is provided with this switch (2 position) to easily adapt the device to either the DTE or DCE configuration of the equipment which it connects.
Data Coupling Switch	Each Link/Repeater is provided with this switch to easily adapt the device for either DC or AC electrical Input data coupling. With AC data coupling the minimum input data rate is 1200 baud with DC data coupling there is no minimum input data rate but a signal stuck on the input will lock up a loop, bussed or star network.
Pin 8 Output Option Switch	(Switch 5B) RS-232 RLFDX232 Links are provided with this switch to allow users who require more drive current on the TTL output pin (pin 8) to accomplish this. Selections are High or Low. Consideration should be given that the current value selected is appropriate for the input of the device being connected to this data channel.
Test Mode Switch	RS-232 Link/Repeaters are provided with this switch to allow users who wish to test the fiber connections of the link with a built in diagnostic mode. This mode sends a 100Hz signal out the transmit port as well as looping back the copper port (pins 2 and 3) for diagnostic purposes.
Handshaking Switch	Each RS-232 Link/Repeater is provided with this switch to easily adapt the device for use where the connected IED needs to see active electrical levels on certain handshaking pins but does not require full handshaking implementation.
Simplex Communication	Transmit only or receive only communications.
Half Duplex Communication	Sequential transmit and receive communications.
Full Duplex Communication	Simultaneous transmit and receive communications.
T	Transmit optical port.
TE	Diagnostic LED that illuminates when the Link/Repeater is receiving an electrical transmit from its IED.
TO	Diagnostic LED that illuminates when the Link/Repeater is transmitting a signal optically.
R	Receive optical port.
RE	Diagnostic LED that illuminates when the Link/Repeater is delivering a received optical signal electrically to the IED.
RO	Diagnostic LED that illuminates when the Link/Repeater is receiving a signal optically.
Optical Budget	The optical budget is expressed in dB, and is the maximum amount of light loss that can be tolerated for reliable communications. The maximum usable optical distance between two devices that a signal can be transmitted is determined by subtracting all of the losses within the optical path from the optical budget. Various factors in the optical path attenuate the light transmission and must be accounted for, to ensure a reliable optical path. Key factors include fiber optic cable attenuation (expressed as dB per unit length), cable aging, and cable fittings (terminations, splitters, etc.).

Non Return to Zero (NRZ)	This type of encoding scheme does not require the voltage potential of each data bit to return to the zero potential. No clock or timing recovery is provided with this type of communication except in the start and stop bits usually found on each data word.
Return to Zero (RZ)	This type of encoding scheme requires the voltage potential of each data bit to return to the zero potential. This allows timing recovery with each bit instead of just the start and stop bits of the data word.
Number of Repeats	The Number of Repeats is the maximum number of Link/Repeaters that may be connected in a loop configuration. The sum of the Remote units in a Local/Remote loop is the number of repeats for that type of loop. The number of Peers minus one is the number of repeats in a Peer-to-Peer loop.
Asynchronous Communication	This type of communication does not transmit a separate clock signal in conjunction with the data signal. Link/Repeaters only support asynchronous communication. A communication scheme where the clock needs to be transmitted (Synchronous Communication) is not supported unless the data and clock signals are transmitted together on the same pin.

1.2 Model RLFDX232M2/24DC and RLFDX232S2/24DC Link/Repeaters

NOTE: Link/Repeaters contain no serviceable parts. Opening the unit will void the warranty.

Each RLFDX232M2/24DC or RLFDX232S2/24DC Link/Repeater consists of the following elements.

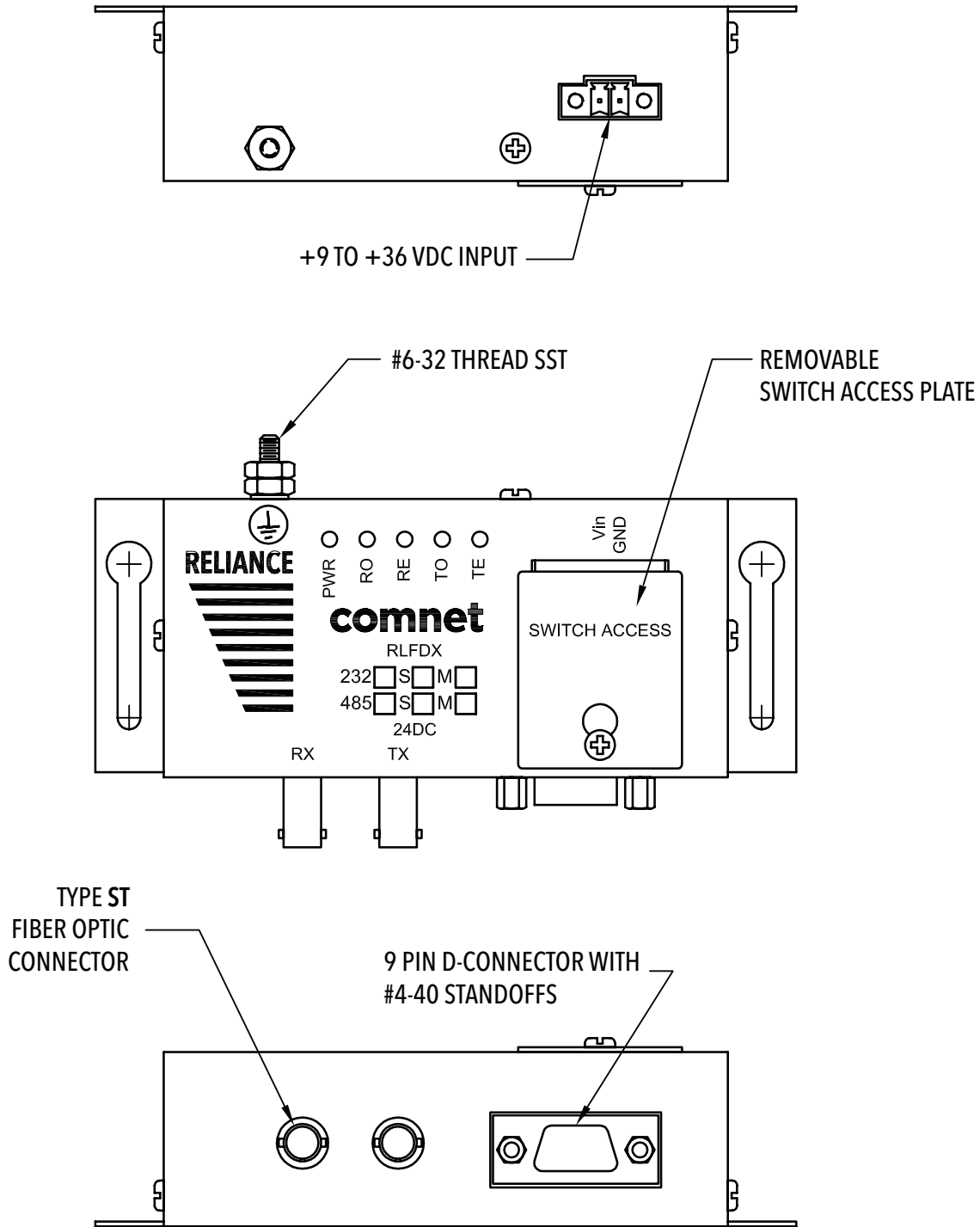


Figure 1 Elements of the Link/Repeater

Each RLFDX232(M,S)/(48DC,HV) Link/Repeater consists of the following elements.

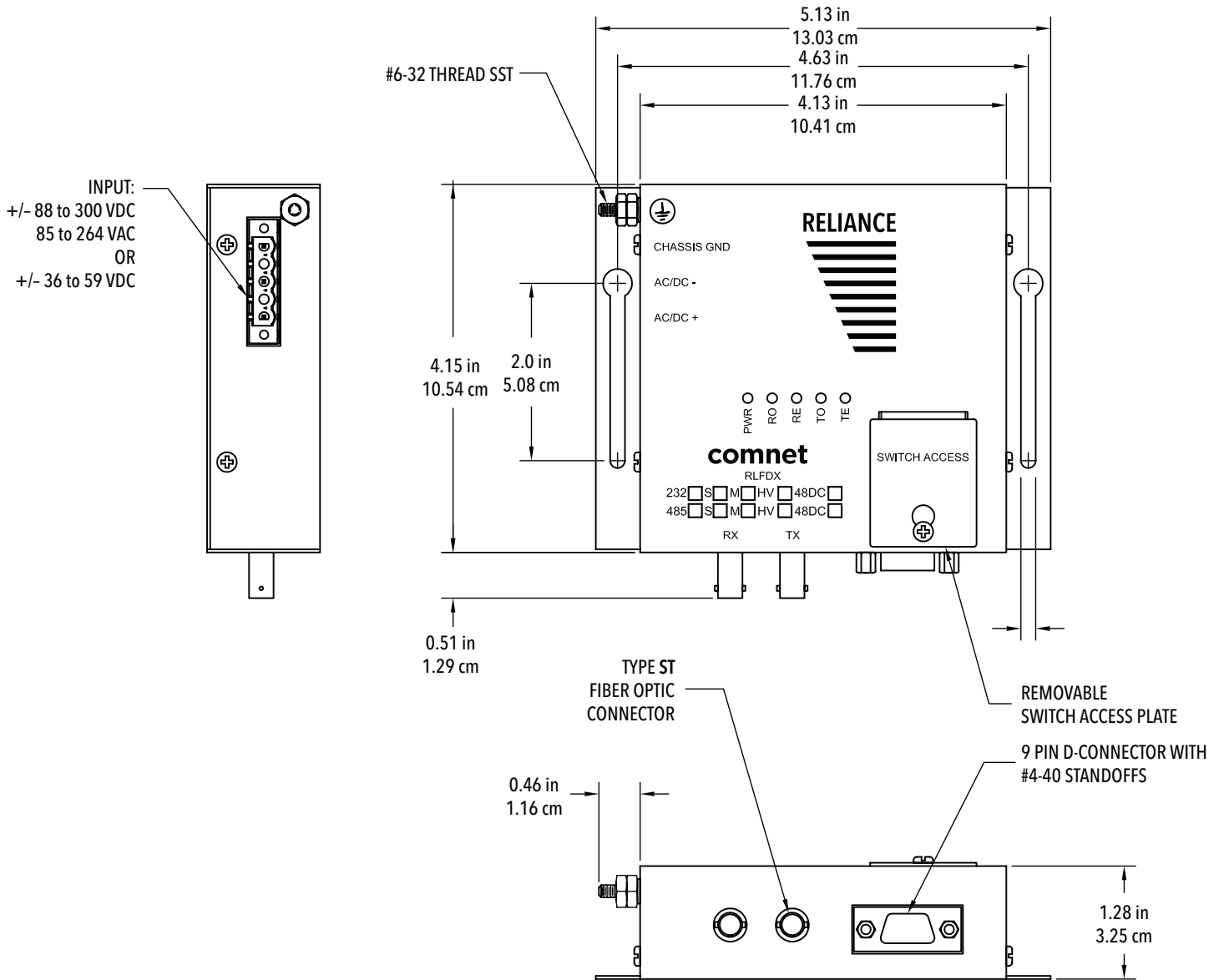


Figure 1 Elements of the Link/Repeater

1.2.1 9 Pin Data Port D-connector

The Link/Repeater connects directly to an IED’s RS-232 or TTL communication port. The pin-out configuration of the Link/Repeater is shown in Figure 2. If the IEDs port is not a 9-Pin Dconnector, or if the IEDs pin-out configuration differs, a suitable adapter is required. Note: The operating voltages specified in the table below for Pin 9 are applicable only to models RLFDX232M2/24DC & RLFDX232S2D/24DC

DTE MODE (Switches Down)	DCE MODE (Switches Up)
• 1 Chassis Ground	• 1 Chassis Ground
• 2 Transmitted Data (Link Input)	• 2 Received Data (Link Output)
• 3 Received Data (Link Output)	• 3 Transmitted Data (Link Input)
• 4 No Connection	• 4 No Connection
• 5 Signal Common	• 5 Signal Common
• 6 (+5 Vdc Output)	• 6 (+5 Vdc Output)
• 7 Repeat Enable / Disable	• 7 Repeat Enable / Disable
• 8 TTL Output	• 8 TTL Output
• 9 +9 to +36 VDC Input	• 9 +9 to +36 VDC Input

Figure 2 Data Port Pin Assignments

1.2.2 DTE/DCE Switch (Two Position Switch)

The DTE/DCE Switch on the Link/Repeater switches the functions of pins 2 and 3 to accommodate the IED configuration as DTE or DCE. This is a 2 position switch and both poles must be set for the Link/Repeater to work properly.

DTE: Data Terminal Equipment. By RS-232 standards, equipment designed as DTE transmits data out of pin 2 on a 9 Pin D-connector and receives data on pin 3.

DCE: Data Communication Equipment. By RS-232 standards, equipment designed as DCE transmits data out of pin 3 on a 9 Pin D-connector and receives data on pin 2.

1.2.3 Data Coupling Switch

The Data Coupling switch selects the electrical input conditioning, the AC position selects capacitively-coupled data. The DC position is directly coupled.

AC: AC coupling has a minimum incoming data requirement of 1200 baud due to the capacitive coupling. This option blocks DC electrical levels should the device connected fail and ‘stick in a high level’. There is a 35 mS timeout for “stuck” output pins, after this time out the link returns to LED off state.

DC: DC coupling allows DC logic levels to be transmitted over the fiber network. Care must be taken to guarantee that when any device stops transmitting packets that the input level returns to a state that allows the T receptacle (emitter) to turn off. If it does not and the IED is part of a loop, bus or star network, the first device to transmit blocks all other devices on the network from transmitting.
*Single-Mode units cannot be DC coupled.

1.2.4 Repeat Switch

The Repeat Switch enables the repeater function in the "ON" position and disables it in the "OFF" position.

ON: The repeater function available in the Link/Repeater is enabled. This function converts the optical signal received on the R optical port to an electrical signal, and delivers this signal to the appropriate pin of the 9-Pin connector, and re-transmits the signal optically out the Link/Repeater's T optical port.

OFF: The repeater function available in the Link/Repeater is disabled. The Link/Repeater converts the optical signal received on the R optical port to an electrical signal, and delivers this signal to the appropriate pin of the 9-Pin connector. It does not re-transmit the signal optically out the Link/Repeater's T optical port.

1.2.5 Handshaking Switch 4B

The Handshaking Switch outputs +5 VDC on a standard handshaking pin in the "ON" position, and disconnects the pins in the "OFF" position.

ON: Pin 6 (Data Set Ready) of the Link/Repeater output is held at +5 VDC. This signal is used by devices requiring handshaking signals to indicate the readiness of the connected devices to receive data.

OFF: Pin 6 of the Link/Repeater is not connected.

1.2.6 Pin 8 Current Output Option Switch 5B

RLFDX232 Link/Repeaters are provided with this switch to allow users select one of 2 output source drive current values for the TTL output pin (pin 8). Selections are 10ma (207 ohms) or 20ma (67 ohms).

Consideration should be given that the current value selected is appropriate for the input of the device being connected to this data channel.

1.2.7 Test Mode Option Switch 3B

RLFDX232 Series Link/Repeaters are provided with this switch to allow users who wish to test the fiber connections of the link with a built in diagnostic mode. This mode sends a 100Hz signal out the transmit port as well as looping back the copper port (pins 2 and 3) for diagnostic purposes.

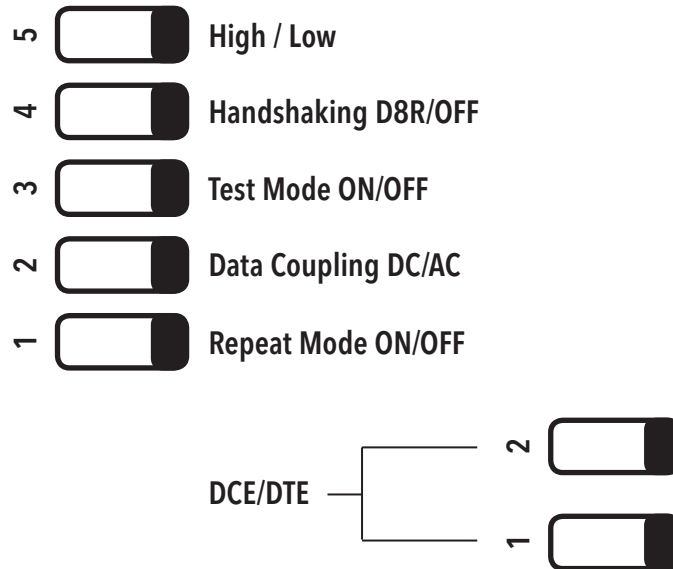


FIGURE 4. Switch Settings

1.2.8 Optical Ports

There are two optical ports: T and R. The T optical port transmits data signals optically to the next Link/Repeater. The R port receives the optical data signal from another Link/Repeater's T optical port. Each optical port is fitted with a type-ST connector for connecting to the fiber optic cable.

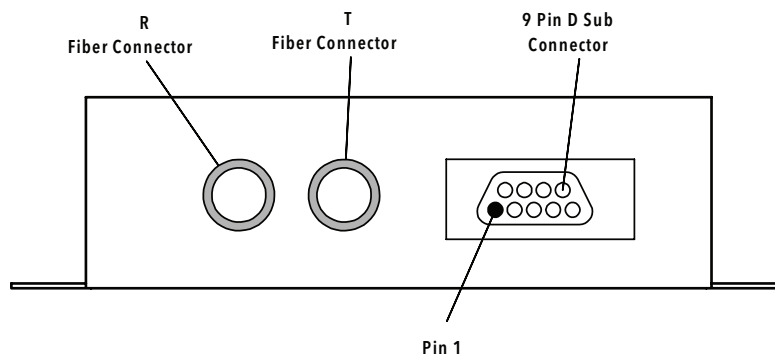


Figure 3 Optical Ports and Electrical Port

1.2.9 Diagnostic LEDs

Each Link/Repeater is equipped with four diagnostic/status indicating LEDs. They represent the electrical transmit (TE), optical transmit (TO), electrical receive (RE), and optical receive (RO) paths. These LEDs, when illuminated, indicate that the appropriate path is active. When the Link/Repeater is transmitting, both TE and TO LEDs will illuminate to indicate the transmit path is active. When the Link/Repeater is receiving light signals, both RO and RE LEDs will illuminate. If the unit is in the repeat mode and receiving light, the RO, RE and TO LEDs will illuminate, as the signal is being retransmitted out of the optical port, as well as being outputted to the electrical data D-connector. LEDs only illuminate when the path is active; powering on the unit does not illuminate the LEDs unless their path is active. When data is present on the paths, the LEDs may flicker; this is a normal condition. The diagnostic LEDs may also be used for troubleshooting, by observing that the illumination of the LEDs corresponds with activity in the unit. See Figure 5 for LED patterns and signal paths.

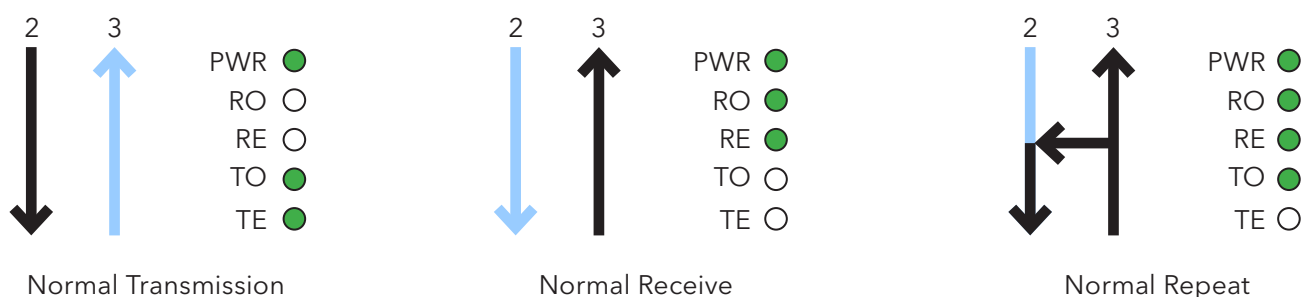


FIGURE 5. Diagnostic LED patterns and signal paths

NOTE: The LEDs only illuminate when there is data traffic, and are not illuminated during signal quiet times. The LEDs may flicker; this is normal operation.

1.2.10 Power Connections

1.2.10.1 Powering Models RLFDX232M2/24DC & RLFDX232S2/24DC

Model RLFDX232M2/24DC may be powered either through pin 9(+) and pin 5 (Ground) of the 9-Pin D connector, or the external power connector located on the rear of the unit:

1. When powering the RLFDX232M2/24DC via pin 9 of the D-connector, the IED must supply at least 250 mA, or 340mA for the RLFDX232S2/24DC. This voltage should be regulated, and within a range of +9 to +36 Vdc.
2. When powered from the external power connector located on the rear of the unit, the operating voltage may be unregulated.

CAUTION: Regardless of the power connection used, Model RLFDX232M2/24DC requires 250 mA, and 340 mA for the RLFDX232S2/24DC, within a range of +9 to +36 VDC. A power supply not capable of supplying 250 mA over the entire operating temperature range may cause the Link/Repeater to malfunction.

Note: Connection of the no. 6-32 ground stud located on the rear of the unit to station ground is optional for models RLFDX232M2/24DC and RLFDX232S2/24DC.

1.2.10.2 Powering Models RLFDX232M2/48DC & RLFDX232S2/48DC

48 Volt DC Models RLFDX232M2/48DC and RLFDX232S2/48DC operate from any source of 36 to 59 VDC. These units include an internal regulated power supply. The supply voltage may be unregulated, but the circuit must be capable of providing a minimum of 250 mA for the RLFDX232M2/48DC, and 340 mA for the RLFDX232S2/48DC .

WARNING: Both models provide a no. 6-32 screw ground stud and a power connector on the side of the housing. Be certain to connect a suitable earth ground to the grounding stud on the side of the Link/Repeater. Remove the power plug from the power connector of the Link/Repeater. Connect the power lines to the power plug, being careful not to leave any wire strands exposed, and replace the power plug.

As the DC input is isolated from ground, these units may be operated from either positive or negative DC sources.

1.2.10.3 Powering Models RLFDX232M2/HV and RLFDX232S2/HV

Models RLFDX232M2/HV and RLFDX232S2/HV operate from any source of 85 to 264 VAC (50/60 Hz), or 88 to 300 VDC. They include an internal voltage regulated power supply, and may be connected directly to the AC line, or station battery bus power. The station battery bus voltage may be unregulated, but the circuit must be capable of providing a minimum of 35mA for model RLFDX232M2/HV, or 50mA for the RLFDX232S2/HV.

Both models provide a no. 6-32 ground stud and a power connector on the side of the housing. Be certain to connect a suitable earth ground to the grounding stud on the side of the Link/Repeater. Remove the power plug from the power connector of the Link/Repeater. Connect the power lines to the power plug, being careful not to leave any wire strands exposed, and replace the power plug.

As the high-voltage DC input is isolated from ground, these units may be operated from either positive or negative DC sources.

This power input to the RLFDX232-series is Surge Withstand Protected to IEC 61000-4-4, EN61000-4-5 Standard and ANSI/IEEE C37.90.1-1989.

WARNING: When installing a Model RLFDX232M2/48DC, RLFDX232S2/48DC, RLFDX232M2/HV or a RLFDX232S2/HV Link/Repeater, an earth ground must be attached to the ground stud on the side of the case before connecting to operating power. Failure to follow this procedure may result in an electrical shock hazard to personnel.

Note: Connection of the no. 6-32 ground stud located on the rear of the unit to station ground is optional for models RLFDX232M2/24DC and RLFDX232S2/24DC.

1.2.11 Peripheral Equipment

1.2.11.1 IED

An IED is any intelligent electrical device such as a computer, RTU, PLC, “smart” meter, protective relay, etc., that has the ability to communicate data via an RS-232 or TTL format. The IED should have a communication port for the connection of the Link/Repeater. If the IEDs communication port connector will not permit the Link/Repeater to be plugged in directly, a suitable adapter must be made to accommodate the connection. Care should be taken to ensure that the correct signals are connected to each other. See Figure 2 for the Link/Repeater pin signal assignments. Check your IEDs equipment manual for its signal assignments.

The IED must also have intelligent software to execute the data communication. This intelligence needs to logically manage the data and signal traffic, including any addressing, token passing, handshaking, data formatting, and scheduling.

1.2.11.2 Fiber Optic Cable (FOC)

The selection of the fiber optic cable is important. High quality cable will ensure the maximum performance of the Link/Repeater. Important factors to consider are the manufacturer’s specification on optical attenuation per unit length, optical attenuation due to aging, diameter, and tensile strength. Choosing the best quality FOC for your installation is important.

Model RLFDX232M2/24DC, RLFDX232M2/48DC, and RLFDX232M2/HV Link/Repeater units are designed for use with type-ST cable terminations, and are compatible with multimode FOC ranging from 50 μm to 200 μm .

Model RLFDX232S2/24DC, RLFDX232S2/48DC, and RLFDX232S2/HV Link/Repeater units are designed for type-ST cable terminations, and are compatible with single-mode FOC ranging from 5 μm to 13 μm .

2. Configurations, Operation, and Installation

The RLFDX232 series of Link/Repeaters may be connected in a Point-to-Point configuration, in a Local/Remote Loop, in a Peer-to-Peer Loop, or an optical bus, depending upon the requirements of the overall communication system.

These models are designed to accept electrical inputs per EIA RS-232, and TTL standards.

RS-232 data communication signals are always on pins 2 or 3: transmit or receive pin assignment is based upon the setting of the DTE/DCE switch of the Link/Repeater's 9-Pin D-connector.

For TTL data communication, the transmit signal (Link/Repeater receive) is on either pin 2 or 3 depending on the setting of the DTE/DCE switch, and the receive (Link/Repeater transmit) is on pin 8.

When the Link/Repeater has a high TTL potential (above 2.4 volts) on its transmit pin, it will transmit optically.

All signal voltage levels on the 9-Pin D-connector are referenced to pin 5 (signal ground) of the D-connector.

NOTE: Pin 8 always has the TTL data output signal present, even when utilizing RS-232 communications. Take care to ensure that the presence of the TTL signal on pin 8 will not adversely affect the operation of the connected IED.

It is also possible to optically connect the Link/Repeaters together within the same optical network when IEDs with different electrical data formats are utilized. For example, where one IED is communicating via RS-232, another IED is communicating with RS-422 or RS-485, etc., the data format translation between the IEDs is performed automatically in this application.

APPLICATION NOTE:

Fully electrically, mechanically, and optically identical to and backward-compatible with the Garrettcom/Dymec 5843, 5844, 5845, and 5846 Series, products in the ComNet RLFDX Series may directly replace a Dymec unit anywhere within the network, and can optically communicate to each other, eliminating the need for external format translation interface devices, provided all connected devices are operating at the same data rate.

2.1 Point-To-Point Configuration

For Point-to-Point operation, two Link/Repeaters are optically connected to each other.

This configuration permits full-duplex communication (simultaneous transmitting and receiving), half-duplex communication (sequential transmitting and receiving), and simplex (one device transmitting or receiving only).

APPLICATION NOTE:

In Point-to-Point operation, the communication logic (control software) of the IEDs must manage:

1. *The transmission of data signals.*
2. *The reception of data signals.*
3. *Any "handshaking" required must be accomplished through software.*

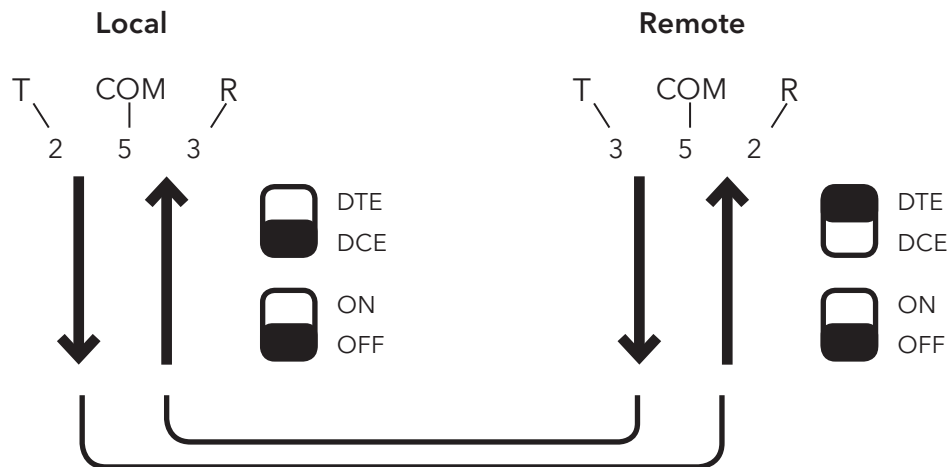


FIGURE 6. Point-to-Point Configuration

2.1.1 Installation

1. Set the DTE/DCE Switch to the appropriate position for each Link/Repeater and its respective IED.
2. Set the Repeat Switch on all of the units to the "OFF" position.
3. Connect the Link/Repeater to the IEDs RS-232 or TTL communication port (including any adapter that may be needed).
4. Connect the Fiber Optic Cables (T of one device to R of the second device).
5. Connect power to the Link/Repeater as follows:

A) If models RLFDX232M2/24DC or RLFDX232S2/24DC are to be powered through the D-connector (+9 to +36 VDC on pin 9 referenced to Pin 5, signal ground) then the unit is energized when it is connected to the D-connector (the power LED will illuminate).

B) Connect the power leads to the power connector, and then energize the power source. The unit is now powered (the power LED will illuminate).

WARNING: When installing a Model RLFDX232M2/48DC, RLFDX232S2/48DC, RLFDX232M2/HV, or RLFDX232S2/HV Link/Repeater, an earth ground must be attached to the no. 6-32 ground stud on the side of the housing before connecting to operating power. Failure to follow this procedure may result in an electrical shock hazard to personnel.

6. Verify operation using the diagnostic/status indicating LEDs. (See Figure 5).

NOTE: Note: Connection of the no. 6-32 ground stud located on the rear of the unit to station ground is optional for models RLFDX232M2/24DC and RLFDX232S2/24DC.

NOTE: The LEDs only illuminate when there is signal traffic and are not illuminated during signal quiet times. The LEDs may flicker; this is normal operation.

APPLICATION NOTE

The Point-to-Point concept can also be used to create an optical bus network. This can be useful in those applications where the software in the Local has not been written in such a way that it can support the return of the transmitted echo that normally occurs in loop networks.

Note that all Remotes receive the Local's transmission, but only the polled Local hears the response from the addressed Remote. The Local must always be the first IED within the network.

2.2 LOOP OPERATION - LOCAL/REMOTE CONFIGURATION

NOTE Before constructing a loop network, be sure that the software protocol of the Local is capable of managing the receipt of its own echoed transmission. If it cannot, then use a Point-to-Point configuration only between devices in an optical bus network topology.

This configuration supports a network that requires more than two IEDs to be communicating. In a Local/Remote loop system, one IED acts as a Local at all times and addresses or “polls” each of the other connected IEDs individually. Each Remote receives the same transmission from the Local IED but only responds when it recognizes its address in the polling message.

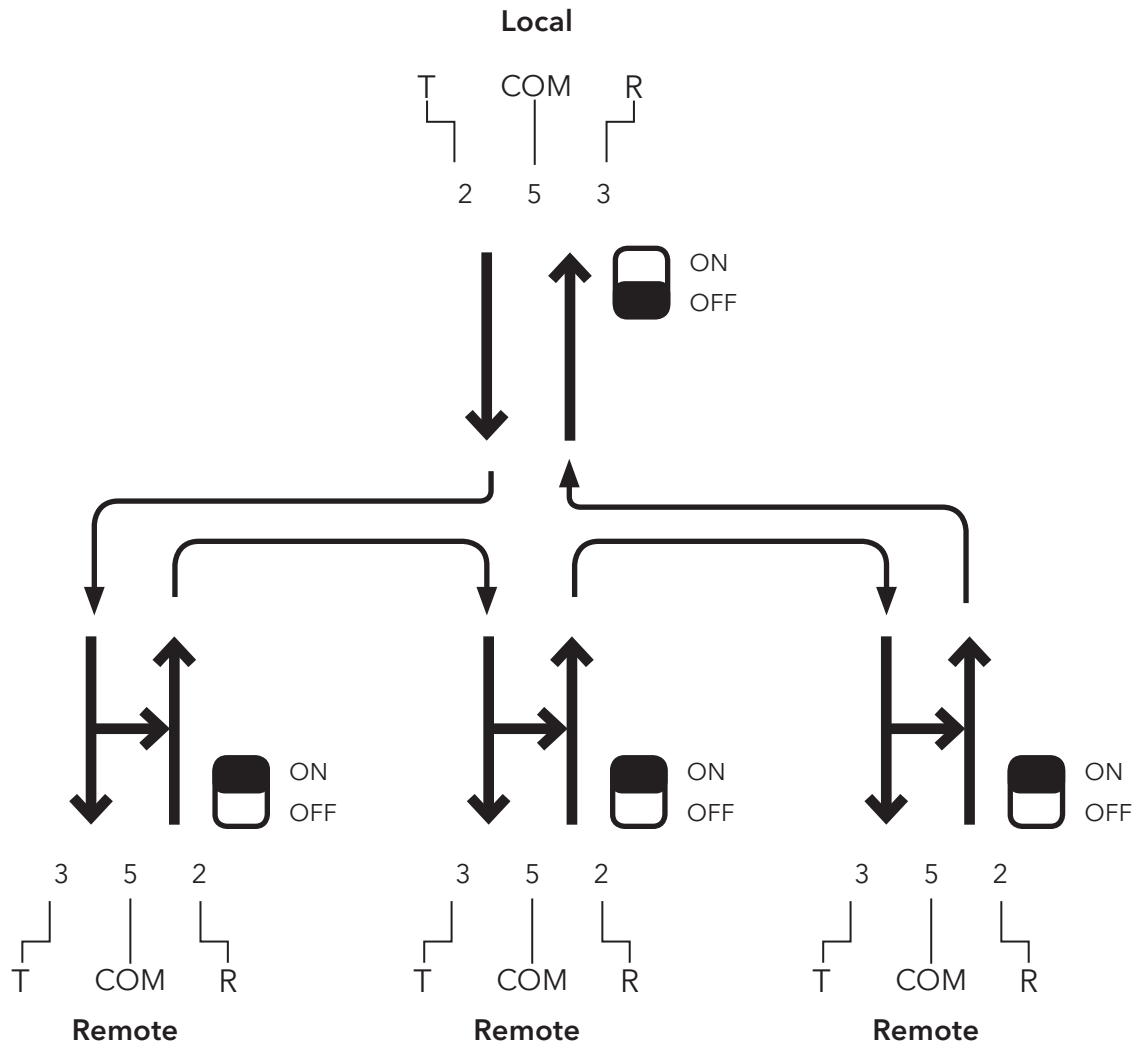


FIGURE 7. Local/Remote Loop Configuration

The Local must have its Repeat Switch in the “OFF” position. When it transmits a request from its T optical port, it will receive the echo of its request at its R optical port. This request has gone around the loop, and has been repeated by each Remote in the loop. In this mode, the Local does not repeat (re-transmit) any of these received signals optically around the loop, because its Repeat Switch is in the “OFF” position.

NOTE *The communication logic and control software of the Local IED must be able to manage the receipt of its echoed request. The receipt of the echo can be used in conjunction with a watchdog timer to continuously verify loop integrity.*

When addressed, the Remote will transmit an appropriate response. Each Link/Repeater connected to a Remote IED must have its Repeat Switch set in the "ON" position. In this mode, all signals received on a Remote's R optical port are delivered to the IEDs communication port, and at the same time repeated out the T optical port to the next device in the loop. If an IED determines that this request requires a response, then the Link/Repeater transmits the IEDs response out the T optical port. The response is repeated at each Remote device, until it arrives at the Local.

When an IED is a Remote, it should not attempt to initiate a transmission while it is receiving a signal. Since signals being received are also being repeated at the same time, any attempts to transmit its response while still receiving can corrupt both transmissions due to a data collision.

CAUTION: *If a Remote IED attempts to transmit while receiving a message, a data collision will occur.*

In Local/Remote Loop Operation, half-duplex communication (sequential transmit and receive functions) is available. Only the Local can communicate full-duplex (simultaneous transmit and receive) in a Local/Remote loop.

APPLICATION NOTE

In a Local/Remote Loop Operation, the communication logic (control software) and the Local IED must manage:

- 1. The transmission to Remotes (including addressing).*
- 2. The receipt of the echo of its transmissions.*
- 3. The receipt of the Remote's response to its transmission.*
- 4. The control of the Remotes to prevent the initiation of a transmission while receiving a signal.*

2.2.1 Installation

1. Set the DTE/DCE Switch to the appropriate position for each Link/Repeater and its respective IED.
2. Set the Repeat Switch to the "OFF" position on the Local. Set the Repeat Switch to the "ON" position on each Remote.
3. Connect the Link/Repeater to the IEDs RS-232 or TTL communication port (Including any adapter that may be needed).
4. Connect the Fiber Optic Cables (T of one device, to R of the next device in the loop). Continue around the loop back to the Local, to close the loop.
5. Connect power to the Link/Repeater as follows:

A) If the unit is to be powered through the D-connector (+9 to +36 VDC on pin 9 referenced to pin 5, signal ground), the unit will energize when it is connected to the D-connector (the power LED will illuminate).

B) If the unit is to be powered through the power connector: Connect the power leads and the power connector and then energize the power source. The unit is now powered (the power LED will illuminate).

WARNING

When installing a Model RLFDX232M2/48DC, RLFDX232S2/48DC, RLFDX232M2/HV, or RLFDX232S2/HV Link/Repeater, an earth ground must be attached to the no. 6-32 ground stud on the side of the housing before connecting to power. Failure to follow this procedure may result in an electrical shock hazard to personnel.

6. The units are now installed and operating.
7. Verify operation using the diagnostic/status indicating LEDs. (See Figure 5).

NOTE The LEDs only illuminate when there is signal traffic and are not illuminated during signal quiet times. The LEDs may flicker: This is normal operation.

2.3 Loop Operation - Peer-To-Peer Configuration

NOTE Before constructing a loop network, be sure that the software protocol is capable of managing the receipt of the echo of its own transmission. If it cannot, then use a Point-to-Point configurations only between devices in an optical bus network approach.

A Peer-to-Peer loop configuration is similar to the Local/Remote loop configuration, except that each IED in the loop is capable of localing the loop in a pseudo-Local/Remote loop. To achieve this, all models within the RLFDX series provide an electrical means of controlling the "Off/Repeat" function.

In this application, all Link/Repeaters are connected in a loop with their Repeat Switch in the "OFF" position. Each IED must be able to control pin 7 of the D-connector, to enable and disable the "ON" function. When an IED applies a low potential (less than 0.6 Vdc to pin 7), it enables the repeat function of the Link/Repeaters. This is equivalent to the Repeat Switch being in the "ON" position. When an IED wishes to become the loop Local, it raises the potential on pin 7 to a high potential (greater than 2.0 Vdc). This disables the Link/Repeaters' repeat function as if the Repeat Switch were in the "OFF" position.

NOTE: The communication logic and control software of the Local IED must be able to manage the receipt of its echoed request. The receipt of the echo can be used in conjunction with a watchdog timer to continuously verify loop integrity.

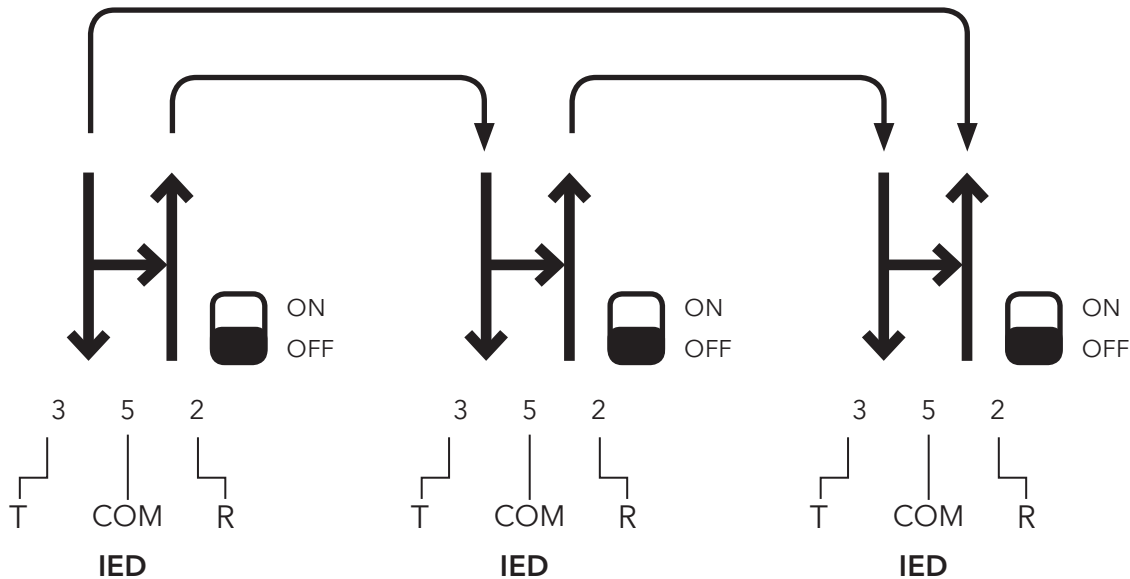


FIGURE 8. Peer-to-Peer Loop Configuration

When the potential on pin 7 is low, signals received on the R optical port are delivered to the IED, and are repeated out the T optical port to the next device in the loop. A high potential on pin 7 causes signals received on the R optical port to be delivered to the IED only, and are not repeated out the T port. It is not necessary for a Remote unit to raise the potential of its pin 7 to transmit.

After an IED has completed its tasks Localing the loop, it must return its pin 7 to a low potential, enabling its repeater function, and re-establishing loop continuity for the next IED that becomes loop Local.

NOTE Powering and controlling pin 7 is ignored in all configurations except Peer-to-Peer loop operation.

Half-duplex communication is available with this configuration.

When an IED is in the Remote state, it should not attempt to initiate a transmission while it is receiving a signal.

Since signals being received are also being repeated at the same time, any attempt to transmit its response while still receiving, can corrupt both transmissions due to a data collision.

NOTE Any Link/Repeater that has its Repeat Switch in the "OFF" position and has a high potential on pin 7 will not repeat those signals received on its R optical port through its T port. Only transmissions initiated by its IED are transmitted through its T optical port.

APPLICATION NOTE

In Peer-to-Peer loop operation, the communication logic (control software) and the Local IED must manage:

- 1. The transmission to Remotes.***
- 2. The receipt of the echo of its transmissions.***
- 3. The receipt of the Remote's response to its transmission.***
- 4. The control of pin 7 of D-connector.***
- 5. The control of the Remotes to prevent the initiation of a transmission while receiving a signal.***

2.3.1 Installation

1. Set the DTE/DCE Switch to the appropriate position for each Link/Repeater and its respective IED.
2. Set the Repeat Switch on all the units to the "OFF" position.
3. Connect the Link/Repeater to the IEDs RS-232 or TTL communication port (Including any adapter that may be needed).
4. Connect the Fiber Optic Cables (T of one device to R of the second device). Continue around the loop to complete the loop.
5. Connect power to the Link/Repeater as follows:

A) If the unit is to be powered through the D-connector (+9 to +36 VDC on pin 9, referenced to pin 5, signal ground), the unit is energized when it is connected to the D-connector (the power LED will illuminate).

B) If the unit is to be powered through its power connector: Connect the power leads and the power connector, and then energize the power source. The unit is now powered (the power LED will illuminate).

WARNING: When installing a Model RLFDX232M2/48DC, RLFDX232S2/48DC, RLFDX232M2/HV or RLFDX232S2HV Link/Repeater, an earth Ground must be attached to the no. 6-32 ground stud on the side of the case before connecting to power. Failure to follow this procedure may result in an electrical shock hazard to personnel.

Note: Connection of the no. 6-32 ground stud located on the rear of the unit to station ground is optional for models RLFDX232M2/24DC and RLFDX232S2/24DC.

6. The units are now installed and operating.
7. Verify operation using the diagnostic LEDs. (See Figure 5).

NOTE The LEDs only illuminate when there is signal traffic and are not illuminated during signal quiet times. The LEDs may flicker. This is normal operation.

3. Applications

When planning a system using any RLFDX232-series Link/Repeaters, the following system parameters should be considered:

- » Data Rate
- » Optical Budget, and the distance between connected units
- » Number of units in a loop configuration
- » Powering the Link/Repeaters
- » Type of communication, including format
- » Selection of Fiber Optic Cable (FOC)

3.1 Data Rate

All RLFDX232-series Link/Repeaters automatically support data rates from 1200 bits per second (AC-coupled is the factory default setting) to 250 Kilobits per second. No internal baud selection or setting is required. However, it is necessary that all connected IEDs within the network be set at the same data rate.

3.2 Optical Budget

The optical budget is a ratio of the receiver sensitivity to transmitter launched optical power; i.e., the amount of light loss available from the transmitter to the receiver. It is calculated on a log scale, so that a 3 dB loss is equal to one-half of the original power; 10 dB is one tenth of the original power; 20 dB is one hundredth, etc. Many different elements in the optical path or circuit can induce losses to the power of the signal. This attenuation must be taken into account when determining the maximum distance that the signal can be reliably transmitted. The major factor is the attenuation of the fiber optic cable. Cable attenuation is expressed as "X" dB per kilometer. Other factors of attenuation include FOC fittings (connectors/terminations, splitters, etc.) FOC diameter, and FOC aging over time.

Optical budget is the result of the expression:

$$\text{Optical Budget [dB]} = \frac{10 \times \log_{10} \text{Receiver sensitivity } [\mu\text{w}]}{\text{Launch Power } [\mu\text{w}]}$$

Each RLFDX232M2/XX Multimode Link/Repeater has a typical optical budget of 19.5 dB.
Each RLFDX232S2/XX Singlemode Link/Repeater has a typical optical budget of 19 dB.

3.2.1 Cable Attenuation Factors

The following cable factors must be applied as corrections to the optical budget.

3.2.1.1 Diameter

Multimode: FOC of different diameters will limit the available optical budget of a system due to different FOC core diameters. The 19.5 dB typical optical budget is applicable to 62.5µm diameter multimode FOC. Table 1 shows the correction factors to use on the available optical budget for different diameter cable.

Table 1

FOC Diameter	Factor
50µm	-3 dB
100µm	+4 dB
200µm	+7 dB

Single mode: 19 dB of optical budget is typically available and is essentially consistent for standard singlemode fiber diameters.

3.2.1.2 Fittings

Adding additional splices, feed-throughs, or patch panels to the fiber optic cable plant will add losses to the available optical budget. Optical budget loss information is available from the manufacturer(s) of these components.

3.2.1.3 Aging

As the FOC ages, tiny cracks will form in the glass core of the fiber, resulting in an increase in the attenuation of the cable. The optical emitters age over time, causing a very slow reduction in their optical launch power. ComNet suggests that an optical loss margin buffer be applied to the calculated optical budget, to ensure proper operation due to aging of the network over a 20-year life span. A 2.5 dB to 3 dB loss factor is suggested to compensate for system aging over this 20 year period.

EXAMPLE: FOC is 62.5/125 µm multimode
 100 kpsi rated 3 dB/km and 3 dB for aging
 No other attenuating items in the circuit
 initial: 19.5 dB Optical Budget
 less: 3 dB aging
 less: 0 dB for other circuit attenuation fittings
 equals: 16.5 dB
 divided by: 3 dB/km
 equals: 5.5 km maximum distance of FOC between transmitter and receiver

NOTE: *Fiber optic transmission radically extends transmission distances beyond the normal copper media RS-232 or TTL standards limits. The maximum usable optical transmission distance between Link/Repeaters must be calculated using the factors listed above.*

3.2.2 Extending the Distance

Should the optical transmission distance between two devices exceed that calculated above, it is possible to insert a Model RLFDX232M2/XX (for multimode cable plants) or Model RLFDX232S2/XX (for singlemode cable plants) Link/Repeater to function as a stand-alone repeater. Two Link/Repeaters would be necessary, one for each direction of the fiber path. When installed as a repeater only, the 9-Pin D-connector of either Model RLFDX232M2/XX or Model RLFDX232S2/XX should be installed with a terminator that covers the pins, and connects the transmit pin (2 or 3, depending on the DTE/DCE switch position) to the signal common pin 5, and also connects the signal common pin 5 to chassis ground pin 1.

3.3 Number Of Repeats

In a loop configuration, the maximum number of units that can be used as repeaters must be determined. A repeater is any unit that uses the repeat function of the Link/Repeater. All Remotes in a Local/Remote loop are considered repeaters. Three factors must be considered in calculating the maximum number of repeaters possible in a loop; the data rate (bits per second); the minimum required width of the original pulse echoed back to the Local; and the maximum/peak operating temperature.

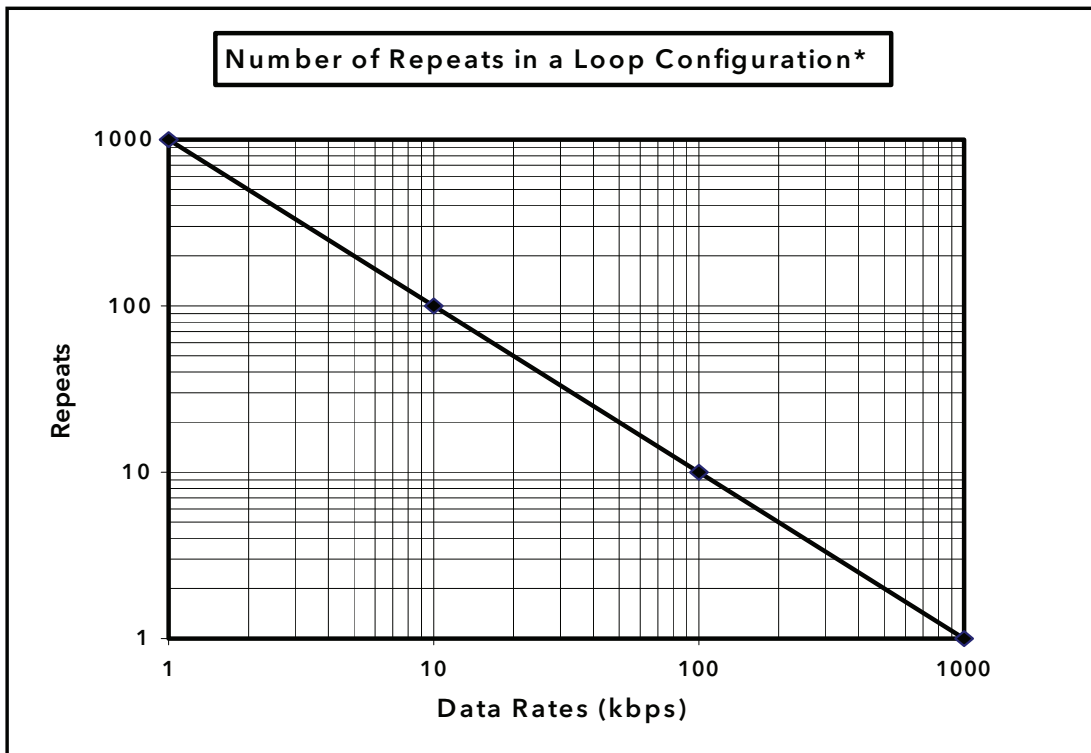


FIGURE 9. Number of Repeats

3.3.1 Effects of Data Rate

The number of repeaters is a linear inverse function to the data rate (i.e., more possible repeats at lower data rates). The data rate, or bits per second rate, determines what the original pulse width of each bit will be. The higher the data rate, the smaller the pulse width of each bit.

As the signal passes through a repeater, any distortion effect on the data signal is greater at higher data rates, due to smaller pulse widths than lower data rates.

3.3.2 Pulse Width Distortion

As the data signal is passed from repeater to repeater, there is a small change to the pulse width; this is defined as pulse width distortion. The amount of change that is tolerable corresponds to the percentage of original pulse width required by a particular communications system design. Typically, a communication system requires that the data word, or bit stream that each Remote IED receives, matches the signal originally generated by the Local, within some tolerance of pulse width distortion. High tolerance systems allow more pulse width distortion; therefore, more repeats are tolerated. Conversely, low tolerance systems allow fewer repeats in the loop.

Figure 9 shows the maximum number of repeats possible if 70% of the original pulse width is required by any IED within the loop. The acceptable percentage of the original pulse width is due to the requirements of the IEDs. If more of the original pulse width is necessary or less is allowable, then the number found in Figure 9 can be modified. Table 2 shows the factors to be used to correct the number of repeats found in Figure 10 for such cases.

Table 2

% of Original Pulse	Multiply Factor
80%	.67
60%	1.33
50%	1.67

3.3.3 Temperature Effect

At peak operating temperatures above 65°C, the maximum number of repeats should be derated by 20%. At higher temperatures, the distortion caused by each repeat increases, reducing the maximum number of possible repeaters within the network.

EXAMPLE: Peak temperature of the system will be 70°C
 Data Rate: 9600 bps
 60% of original pulse width possible
 initial: 100 repeats (from Figure 10)
 less: 20% de-rate for 70°C
 times: 1.33 for 60% pulse width
 equals: $100 \times 0.8 \times 1.33 = 106$ repeats

3.4 Types Of Communication

The RLFDX-series of Link/Repeaters support the following types of asynchronous communications:

- » Simplex - Transmission only or receive only
- » Half-duplex - Sequential transmit and receive
- » Full-duplex - Simultaneous transmit and receive

	Simplex	Half-Duplex	Full-Duplex
Point-to-Point: (Repeat Switch "OFF")	X	X	X
Local/Save Loop: Local (Repeat Switch "OFF")	X	X	X
Local/Remote Loop: Remote (Repeat Switch "ON")	X	X	
Peer-to-Peer Loop: Local (Repeat Switch "OFF" and pin 7 "high")	X	X	X
Peer-to-Peer Loop: Remote (Repeat Switch "OFF" and pin 7 "low")	X	X	

4. Testing And Troubleshooting

4.1 Testing

Models RLFDX232M2/XX and RLFDX232S2/XX lend themselves to easy installation and testing. Testing the units requires transmitting and receiving data, or setting the Test Mode switch to ON while observing that the diagnostic/status indicating LEDs are illuminating in the proper sequence.

To test whether a unit is transmitting and receiving correctly, insert a short fiber jumper between the T and R optical ports, and transmit a signal (or turn the Test Mode Switch ON). Note that all four diagnostic LEDs should illuminate during communications (refer to Figure 5).

To test the units in a loop configuration, two Link/Repeaters are required. Connect a short fiber jumper from the T optical port of one Link/Repeater, to the R optical port of the other. Set the Repeat Switch for one of the units to ON, and the other to OFF. The unit with the Repeat Switch in the OFF position is the Local. Using the Local, transmit and receive (or use the Test Mode Switch in the ON position) through the other unit in the repeat mode. Observe that the diagnostic LEDs illuminate during communications (refer to Figure 5).

When a Link/Repeater is not connected to an IED and is in the “repeat” mode, Transmit (pin 2 or pin 3, depending on the position of the DCE/DTE switch) and Chassis Ground (pin 1) should be connected to Signal Common Ground (pin 5). This will prevent any spurious noise from being induced into the fiber optic loop circuit while servicing an IED.

Single-Mode Models RLFDX232S2/24DC, RLFDX232S2/48DC, and RLFDX232S2/HV Only:

When not connected to an IED, and in the repeat mode, the Link/Repeater should have Chassis Ground (pin 1) connected to Signal Common/Ground (pin 5). If these pins are not tied together, noise could be induced into the fiber loop. This is also necessary when servicing an IED in order to keep the fiber loop and the Link/Repeater operational.

WARNING: The jumper connecting Chassis Ground and Signal Common/Ground should be disconnected before reconnecting Models RLFDX232S2/24DC, RLFDX232S2/48DC, or RLFDX232S2/HV to an IED.

4.2 Troubleshooting

If the unit does not work properly, refer to the set up instructions in this guide, and use the following check list:

- » Is the unit properly powered?
 - › Verify the unit is receiving the correct power.
 - › Is the Power LED on?
 - › If required, make sure power from D-connector is present on Pin 9.
- » Check that the indicating LEDs are responding to the optical and electrical activity.
- » Is the unit mated properly to the IED? If an adapter is used, check that pin assignments are connected correctly.
 - › Are the fiber cables connected properly? T to R; not R to R, or T to T.
 - › Are the DTE/DCE and the Repeat switches set to the proper positions for the application?
- » Determine that the IED's originating signal is within standards.

NOTE: If the Link/Repeater is not connected directly to an IED, determine that the electrical signal received by the Link/Repeater is not corrupt. The Link/Repeater only repeats the signal it is given, it does not re-clock or re-generate the signal.

- » Review the IED's software and protocols. Does the IED have physical handshaking requirements, and have the appropriate settings on the IED been made to compensate for these requirements?
- » Consult factory.

NOTE: The LEDs only illuminate when there is signal traffic, and are not illuminated during signal quiet times. The LEDs may flicker. This is normal operation.

NOTE: Link/Repeaters contain no user-serviceable parts. Opening the unit will void the warranty.

PIN Explanation

2	Transmitted Data (Link input)
3	Received Data (Link Output)
5	Signal Common

Pinout for DTE Mode (Normal Functionality)

PIN Explanation

2	Received Data (Link Output)
3	Transmitted Data (Link input)
5	Signal Common

Pinout for DCE Mode (Normal Functionality)

PIN Explanation

1	Chassis (Earth) Ground
6	Data Set Ready (+5 V output)
8	TTL Output
7	Repeat Enable / Disable
9	+ 9 to +36 VDC Input (Models RLFDX232M2/24DC & RLFDX232S2/24DC only)

Pinout for Extended Functionality

5. Specifications

5.1 Electrical and Optical Specifications

All Specifications over entire Operating Temperature Range. All Specifications are subject to change without notice.

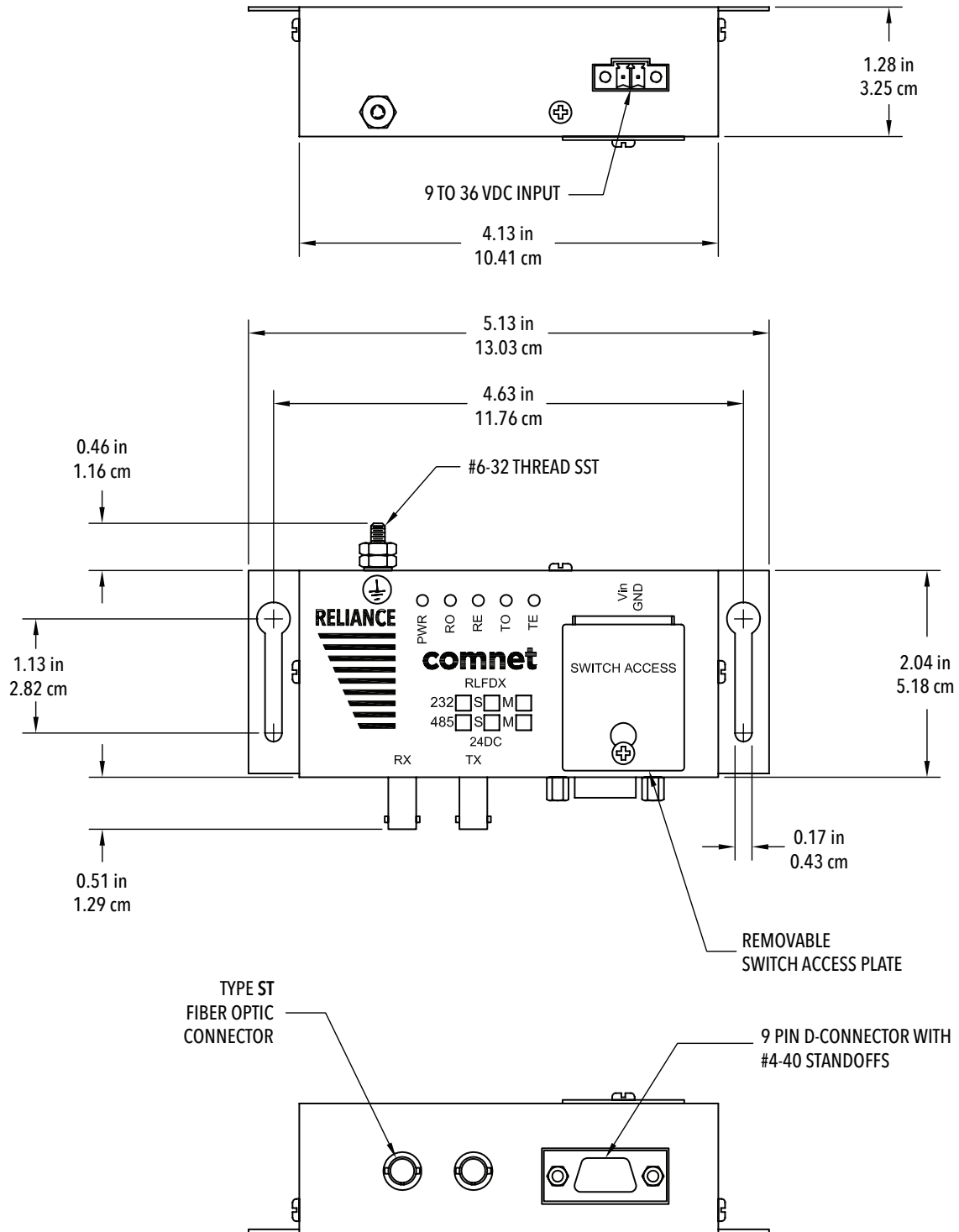
Multimode	RLFDX232M2/24DC	RLFDX232M2/48DC & RLFDX232M2/HV
Optical Budget Typical	19.5 dB	19.5 dB
Output power Typical	-10.5 dBm peak	-10.5 dBm peak
Receiver Sensitivity Typical	-30 dBm peak (62.5/125 Multimode)	-30 dBm peak (62.5/125 Multimode)
Wavelength	850nm	850nm
Connector Type	ST	ST
Compatible Fiber Type	Multimode (50-200µm)	Multimode (50-200µm)
Configuration (Switches)	DTE/DCE AC/DC Coupled Link/Repeat Pin 8 Drive Current Pin 6 +5 V (DSR or CTS pull-up) Diagnostic Mode	DTE/DCE AC/DC Coupled Link/Repeat Pin 8 Drive Current Pin 6 +5 V (DSR or CTS pull-up) Diagnostic Mode
Data Rate	DC to 250K bps	DC to 250K bps
Data Transmission	Asynchronous, simplex or Full Duplex	Asynchronous, simplex or Full Duplex
Transmission Distance	up to 5000 meters (62.5/125 Cable@3dB/km)	up to 5000 meters (62.5/125 Cable@3dB/km)
Bit Error Rate	10-E9 Max.	10-E9 Max.
Point to Point Latency	4 µsec Max	4 µsec Max
Repeat Latency	400 nsec Max	400 nsec Max
Electrical Parameters		
Inputs		
I/O Data Format	EIA RS232; CCITT v24	EIA RS232; CCITT v24
Data Connector	9 pin D-Type Female	9 pin D-Type Female
Input Impedance	>3000 Ohms	>3000 Ohms
Input Voltage	+/- 30 Volts Max	+/- 30 Volts Max
Outputs		
Output Impedance	>300 Ohms	>300 Ohms

Driver Output	+/- 5 V min into 3000 Ohms	+/- 5 V min into 3000 Ohms
Pin 8 Output	0 to 5V 67 or 207 Ohm Source Impedance	0 to 5V 67 or 207 Ohm Source Impedance
Ambient Temperature		
Operating Temperatures	-40° to +85° C	-40° to +85° C
Storage Temperature	-40° to +85° C	-40° to +85° C
Power Required	3.0 Watts 250 mA @ 12 VDC	3.0 Watts 35 mA @ 88 to 300 V (/HV) 65 mA @ 36 to 59 VDC (/48DC)
Power Dissipation BTU/H	8.2 BTU	10.9 BTU
Weight	9 oz	17 oz
Dimensions (Inches)	2.0W x 5.1L x 1.3H	4.1W x 5.1L x 1.3H
Indicators	Power Transmit Fiber Transmit Electrical Receive Fiber Receive Electrical	Power Transmit Fiber Transmit Electrical Receive Fiber Receive Electrical

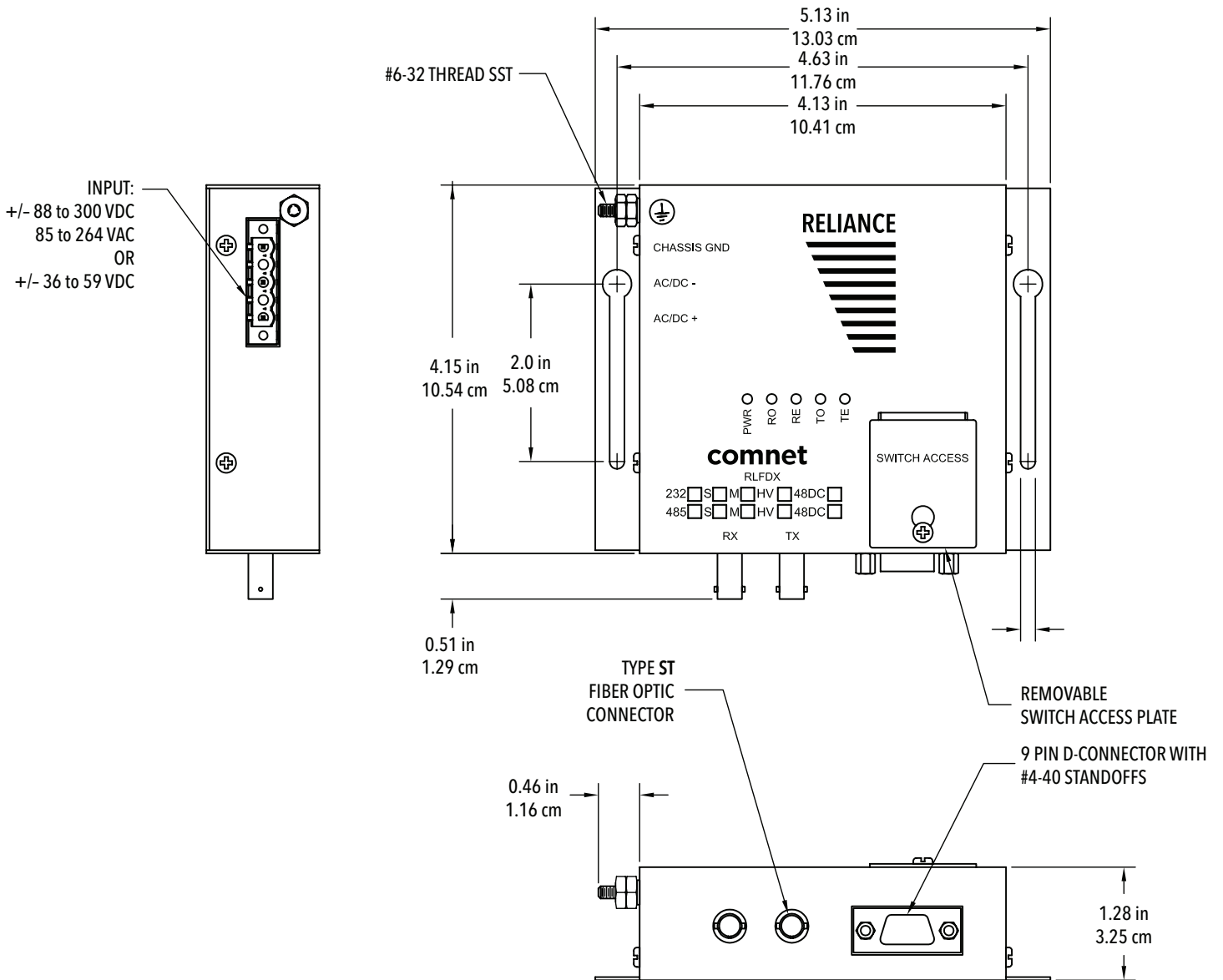
Single-mode	RLFDX232S2/24DC	RLFDX232S2/48DC & RLFDX232S2/HV
Optical Budget Typical	19 dB	19 dB
Output power Typical	-14.5 dBm peak	-14.5 dBm peak
Receiver Sensitivity Typical	-33.5 dBm peak (9/125 Single-Mode)	-33.5 dBm peak (9/125 Single-Mode)
Wavelength	1300nm	1300nm
Connector Type	ST	ST
Compatible Fiber Type	Single-Mode (9-13 μm)	Single-Mode (9-13 μm)
Configuration (Switches)	DTE/DCE AC/DC Coupled Link/Repeat Pin 8 Drive Current Pin 6 +5 V (DSR or CTS pull-up) Diagnostic Mode	DTE/DCE AC/DC Coupled Link/Repeat Pin 8 Drive Current Pin 6 +5 V (DSR or CTS pull-up) Diagnostic Mode
Data Rate	DC to 250K bps	DC to 250K bps
Data Transmission	Asynchronous, simplex or Full Duplex	Asynchronous, simplex or Full Duplex

Transmission Distance	up to ~30K meters (9/125 Cable@0.3dB/km)	up to ~30K meters (9/125 Cable@0.3dB/km)
Bit Error Rate	10-E9 Max.	10-E9 Max.
Point to Point Latency	4 µsec Max	4 µsec Max
Repeat Latency	400 nsec Max	400 nsec Max
Electrical Parameters		
Inputs		
I/O Data Format	EIA RS232; CCITT v24	EIA RS232; CCITT v24
Data Connector	9 pin D-Type Female	9 pin D-Type Female
Input Impedance	>3000 Ohms	>3000 Ohms
Input Voltage	+/- 30 Volts Max	+/- 30 Volts Max
Outputs		
Output Impedance	>300 Ohms	>300 Ohms
Driver Output	+/- 5 V min into 3000 Ohms	+/- 5 V min into 3000 Ohms
Pin 8 Output	0 to 5V 67 or 207 Ohm Source Impedance	0 to 5V 67 or 207 Ohm Source Impedance
Ambient Temperature		
Operating Temperatures	-40° to +70° C	-40° to +70° C
Storage Temperature	-40° to +85° C	-40° to +85° C
Power Required	3.0 Watts 250 mA @ 12V	3.0 Watts 50 mA @ 88 to 300 V (/HV) 65 mA @ 36 to 59 VDC (/48DC)
Power Dissipation BTU/H	10.2 BTU	12.3 BTU
Weight	9 oz	17 oz
Dimensions (Inches)	2.0W X 5.1L X 1.3H	4.1W X 5.1L X 1.3H
Indicators	Power Transmit Fiber Transmit Electrical Receive Fiber Receive Electrical	Power Transmit Fiber Transmit Electrical Receive Fiber Receive Electrical

5.2 Outline Configuration & Mechanical Dimensions for Models RLFDX232M2/24DC and RLFDX232S2/24DC



5.3 Outline Configuration & Mechanical Dimensions for Models RLFDX232M2/48DC, RLFDX232S2/48DC, RLFDX232M2/HV, and RLFDX232S2/HV



ComNet Customer Service

Customer Care is ComNet Technology's global service center, where our professional staff is ready to answer your questions at any time.

Email ComNet Global Service Center: customer care@comnet.net



3 CORPORATE DRIVE | DANBURY, CT 06810 | USA

T: 203.796.5300 | F: 203.796.5303 | TECH SUPPORT: 1.888.678.9427 | INFO@COMNET.NET

8 TURNBERRY PARK ROAD | GILDERSOME | MORLEY | LEEDS, UK LS27 7LE

T: +44 (0)113 307 6400 | F: +44 (0)113 253 7462 | INFO-EUROPE@COMNET.NET