



INSTALLATION AND OPERATION MANUAL

FDX50M2, FDX51M2

RS232/422 POINT-TO-POINT DATA TRANSCIVER

The ComNet™ FDX50M2 and FDX51M2 data transceivers are interchangeable by application and provide point-to-point transmission of simplex or duplex EIA RS232/RS422 data signals over two multimode optical fibers. The transceivers are transparent to data encoding allowing for broad-range compatibility.

Each transceiver incorporates a bi-color (Red/Green) indicating LED for monitoring proper system operation. See **Figure 6** on **Page 4** for LED Indicator explanations.

The FDX50M2 has a small footprint and is designed for surface mounting. The FDX51M2 may be directly plugged into the ComNet Rack (Part C1) or can operate as a standalone module, or may be DIN-rail mounted by the addition of ComNet model DINBKT1 adaptor plate. See **Figure A** on **Page 5** for mounting instructions.

See **Figures 1 - 6** for complete installation details.

FIGURE 1 - FDX51M2 COMFIT TRANSCEIVER

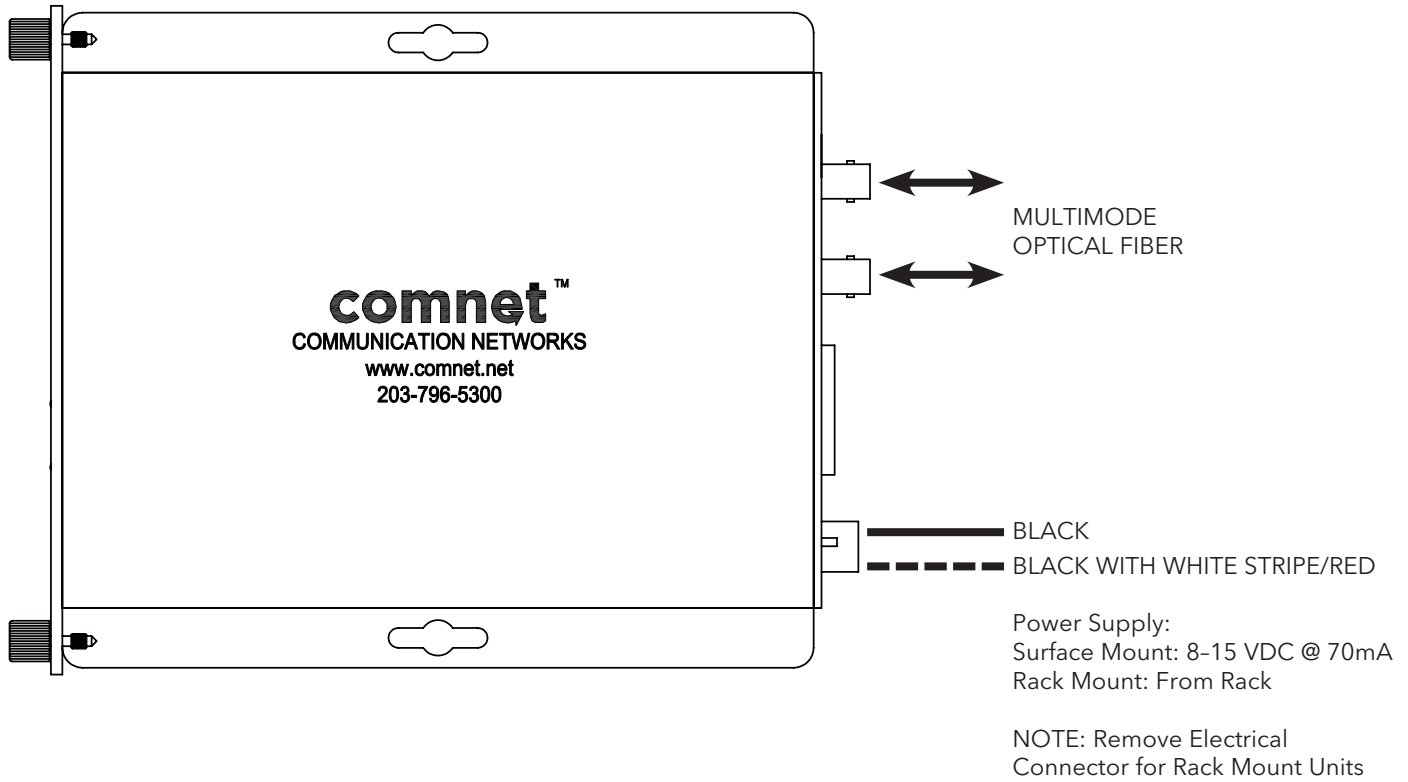


FIGURE 2 - FDX51M2 TRANSCEIVER

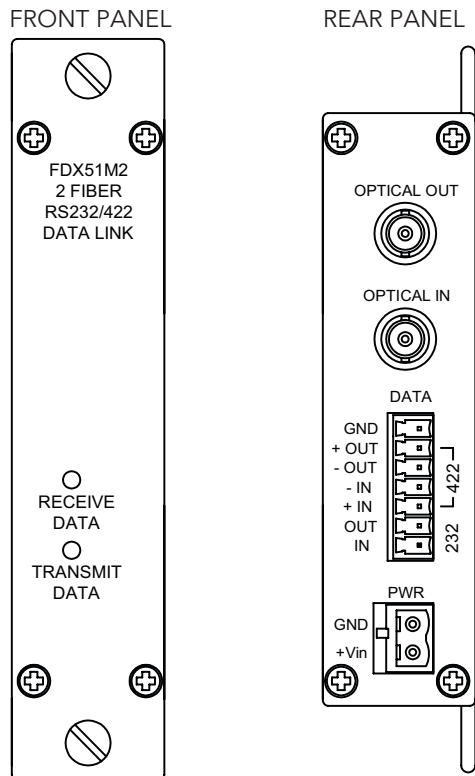


FIGURE 3 - FDX50M2 SURFACE MOUNT TRANSCEIVER

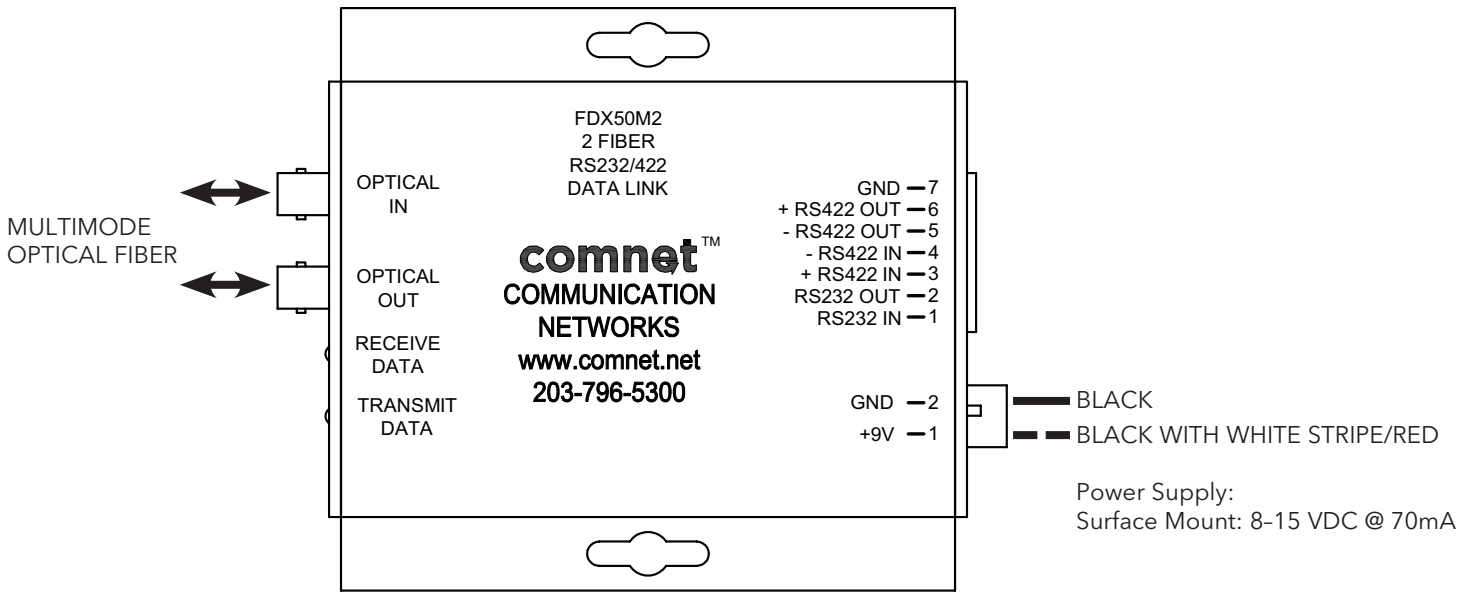


FIGURE 4 - FDX50M2 TRANSCEIVER

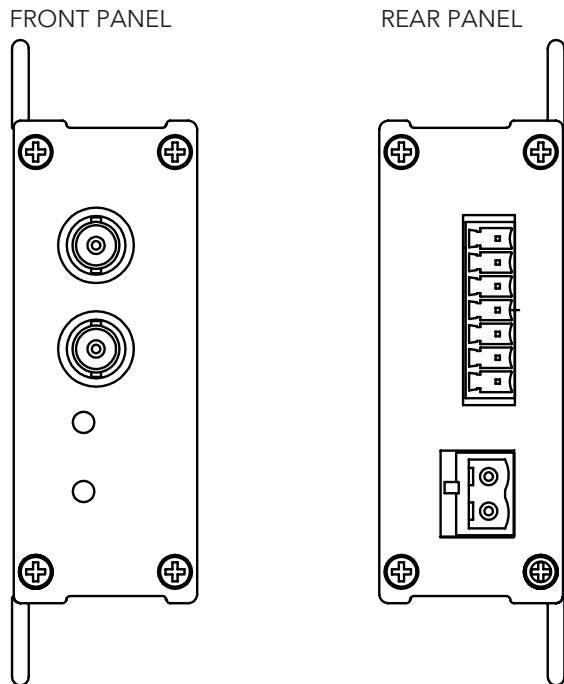
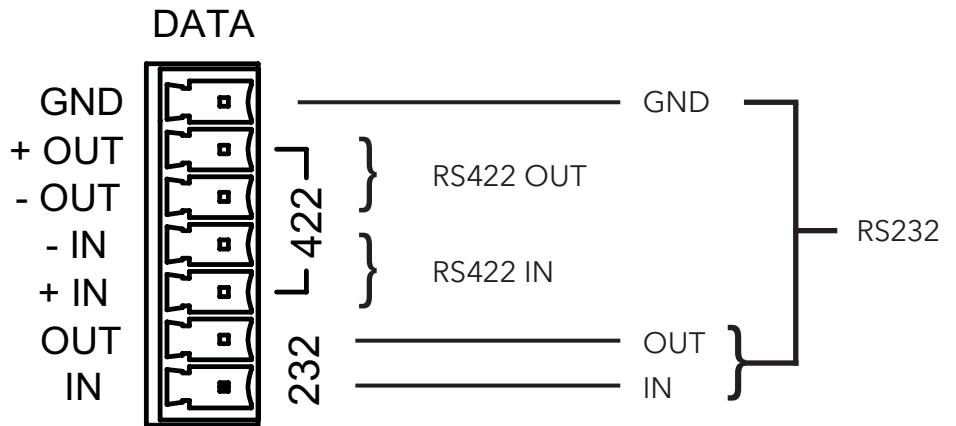


FIGURE 5 - DATA SETTINGS

FDX51M2 COMFIT TRANSCEIVER



FDX50M2 SURFACE MOUNT TRANSCEIVER

Connection Labels on Cover

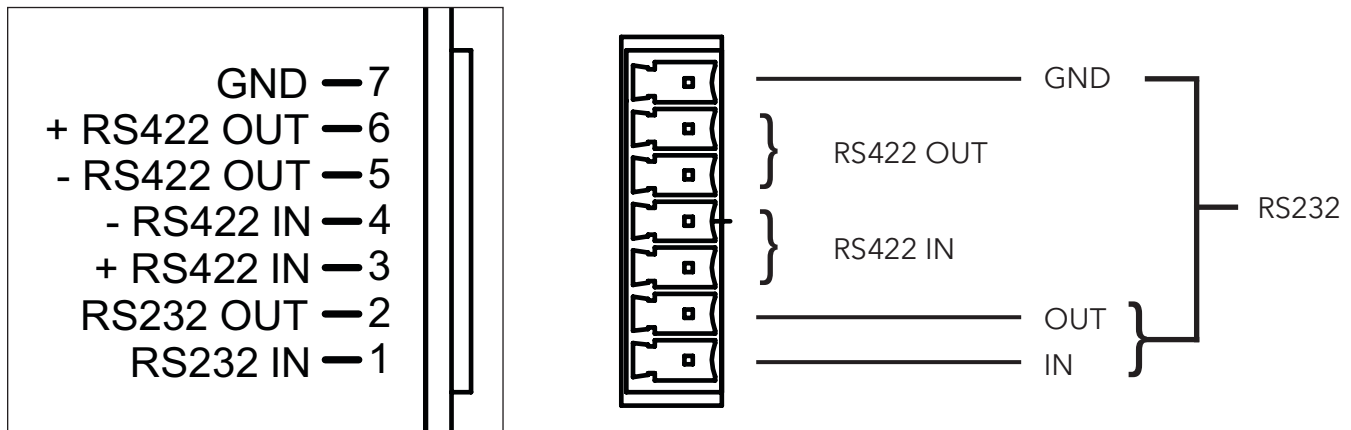


FIGURE 6 - LED INDICATORS

	RECEIVE DATA	TRANSMIT DATA
GREEN	Activity	Activity
RED	No Activity	No Activity
OFF	Unit Not Powered Up	Unit Not Powered Up

MECHANICAL INSTALLATION INSTRUCTIONS

INSTALLATION CONSIDERATIONS

The FDX51M2 fiber-optic link is supplied as a Standalone/Rack module. The FDX50M2 fiber-optic link is supplied as a Standalone module. Units should be installed in dry locations protected from extremes of temperature and humidity.

C1-US, C1-EU, C1-AU OR C1-CH CARD CAGE RACKS

CAUTION: Although the units are hot-swappable and may be installed without turning power off to the rack, ComNet recommends that the power supply be turned off and that the rack power supply is disconnected from any power source. **Note:** Remove electrical connector before installing in card cage rack.

1. Make sure that the card is oriented right side up, and slide it into the card guides in the rack until the edge connector at the back of the card seats in the corresponding slot in the rack's connector panel. Seating may require thumb pressure on the top and bottom of the card's front panel.

CAUTION: Take care not to press on any of the LEDs.

2. Tighten the two thumb screws on the card until the front panel of the card is seated against the front of the rack.

WARNING: Unit is to be used with a Listed Class 2 or LPS power supply.

IMPORTANT SAFEGUARDS:

A) Elevated Operating Ambient - If installed in a closed or multi-unit rack assembly, the operating ambient temperature of the rack environment may be greater than room ambient. Therefore, consideration should be given to installing the equipment in an environment compatible with the maximum ambient temperature (T_{ma}) specified by the manufacturer.

B) Reduced Air Flow - Installation of the equipment in a rack should be such that the amount of air flow required for safe operation of the equipment is not compromised.



FIGURE A

Dimensions are for a standard ComNet one slot module

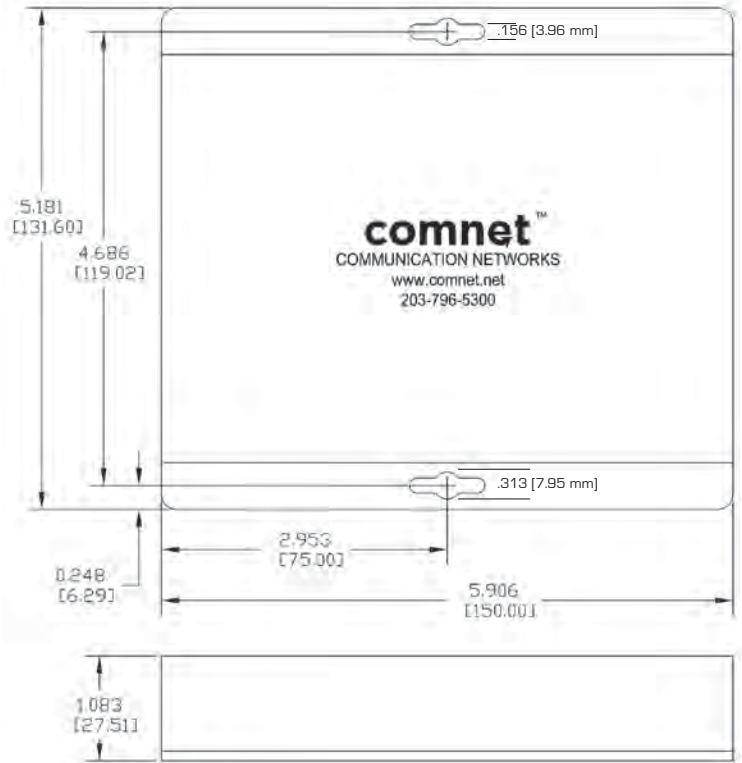
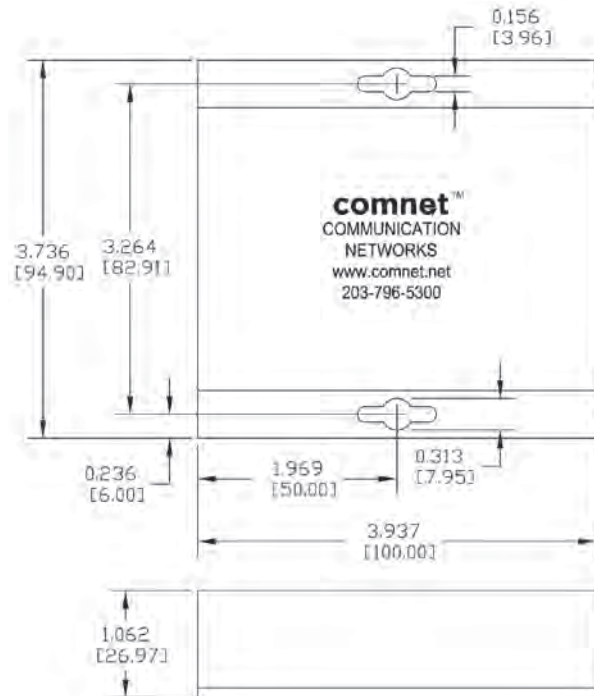


FIGURE B

Dimensions are for a standard ComNet small size module



3 CORPORATE DRIVE | DANBURY, CT 06810 | USA
 T: 203.796.5300 | F: 203.796.5303 | TECH SUPPORT: 1.888.678.9427 | INFO@COMNET.NET
 8 TURNBERRY PARK ROAD | GILDERSOME | MORLEY | LEEDS, UK LS27 7LE
 T: +44 (0)113 307 6400 | F: +44 (0)113 253 7462 | INFO-EUROPE@COMNET.NET