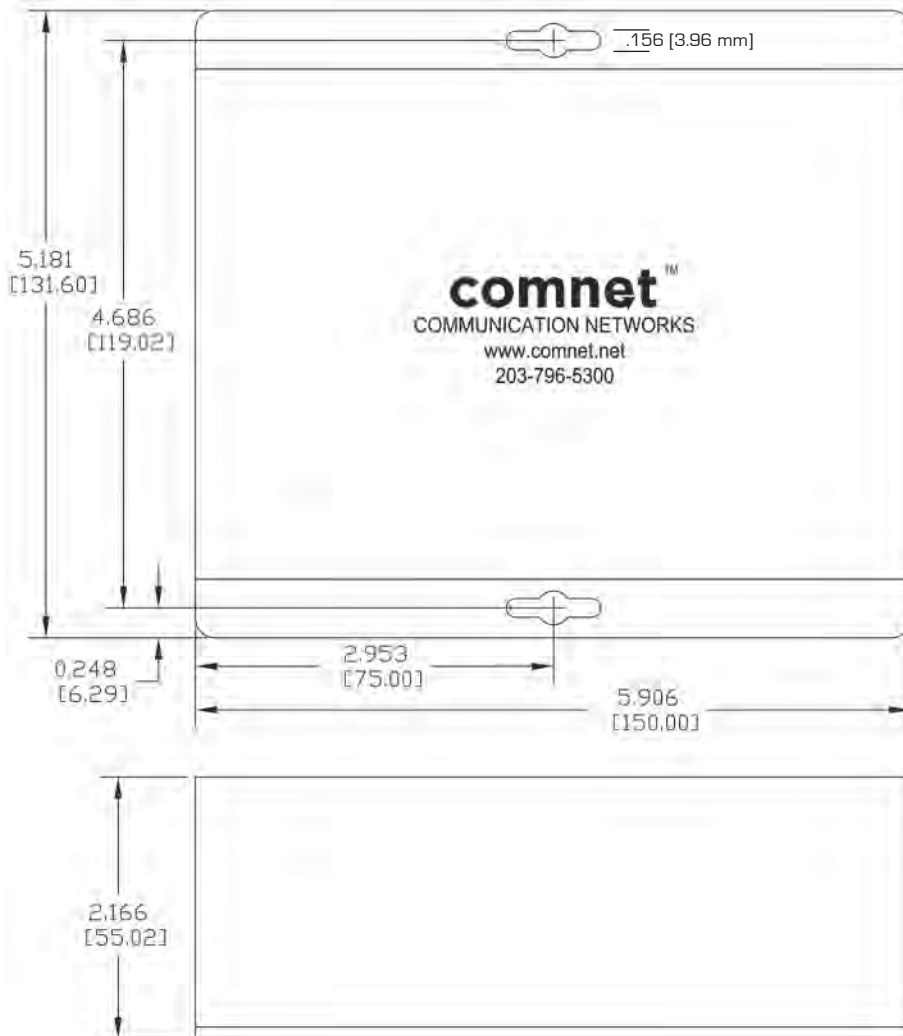


Mechanical Installation Instructions

Figure 1– Dimensions are for a standard ComNet™ two slot module.



Installation Considerations

This fiber-optic link is supplied as a Standalone/Rack module. Units should be installed in dry locations protected from extremes of temperature and humidity.

Standalone Module:

The unit is provided with a mounting plate with holes for two No. 6 pan head screws (3-mm or 3.55-mm).

Attach the module to a solid piece of wood using two No. 6 pan head wood screws with a minimum penetration into the wood of 3/4 inch. (Screws not supplied) See figure 1.

1. Determine where the module will be installed, and ensure that there is adequate space at both ends for making the various cable connections and for reading the diagnostic LEDs.
2. Attach the module to a flat surface using two mounting screws.

Rack Module:

The unit is designed to be installed in the ComNet 19-inch (483-mm) EIA standard card-cage rack, the C1-US, C1-EU, or the C1-CH. Follow these guidelines to install rack cards after performing module setup procedures.

C1-US, C1-EU, or the C1-CH Card Cage Racks

CAUTION: Although the units are hot-swappable and may be installed without turning power off to the rack, ComNet recommends that the power supply be turned off and that the rack power supply is disconnected from any power source. **Note:** Remove electrical connector before installing in card cage rack.

1. Make sure that the card is oriented right side up, and slide it into the card guides in the rack until the edge connector at the back of the card seats in the corresponding slot in the rack's connector panel. Seating may require thumb pressure on the top and bottom of the card's front panel.

CAUTION: Take care not to press on any of the LEDs.

2. Tighten the two thumb screws on the card until the front panel of the card is seated against the front of the rack.

For Technical Support, Contact Your Nearest Communication Networks Office:

3 Corporate Drive • Danbury, CT 06810 • USA • Tel: 203-796-5300 • Toll Free: 1-888-678-9427 • www.comnet.net
8 Turnberry Park Road • Gildersome • Morley • Leeds, UK LS27 7LE • Tel: +44 (0)113 307 6400 • Fax: +44 (0)113 253 7462

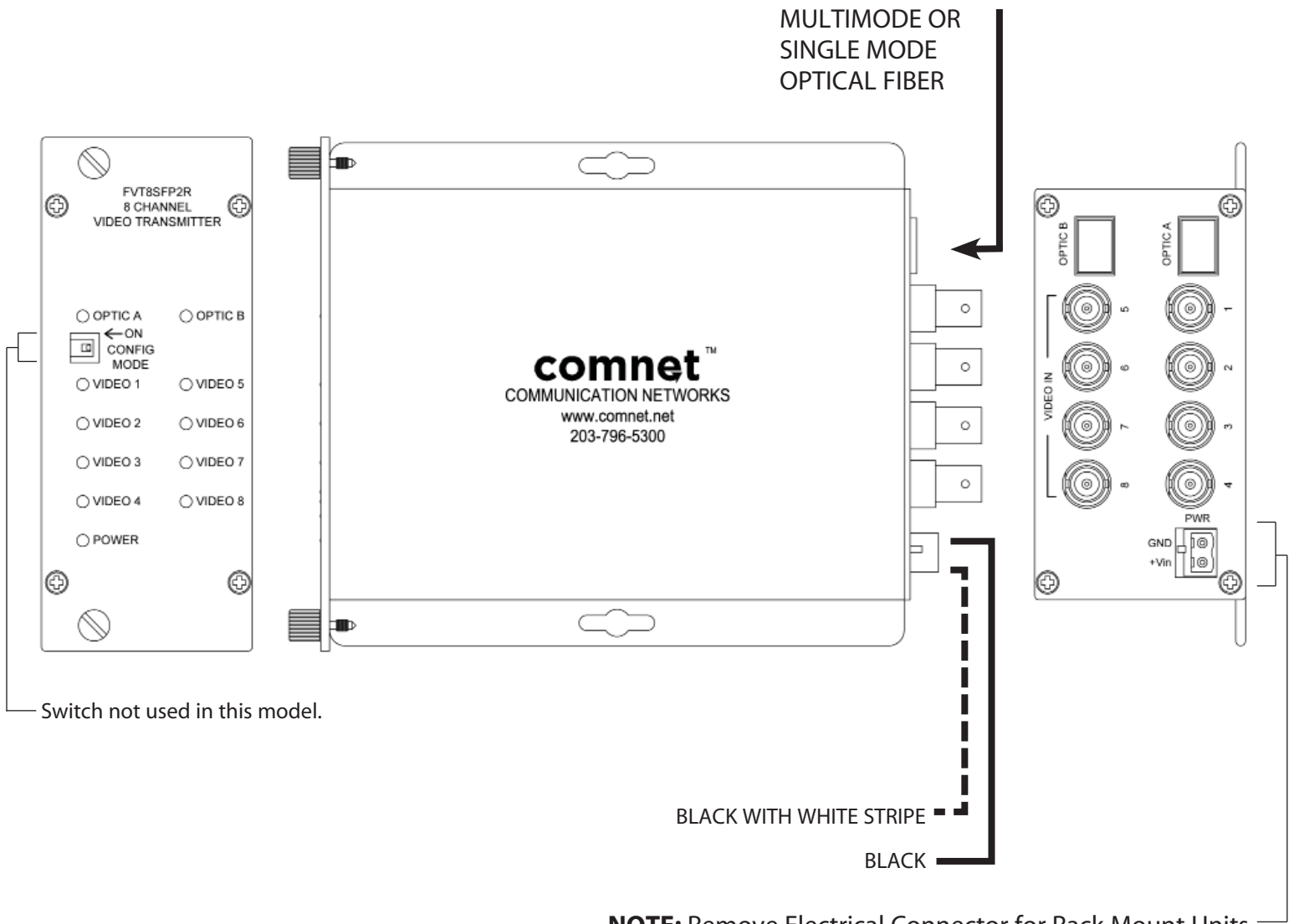
INS_FVT/FVR8SFP2R_REV-

08/19/09

Page 1

INSTALLATION INSTRUCTIONS

EIGHT CHANNEL DIGITAL VIDEO TRANSMITTER + REDUNDANT POINT-TO-POINT DUAL SMALL FORM-FACTOR PLUGGABLE (SFP) OPTICAL PORTS



WARNING: Unit is to be used with a Listed Class 2 or LPS power supply rated 9-12 VDC @ 1A.

WARNING: This unit should be installed in a restricted access location; available through the use of a lock and key or other means of security. Access should be limited to service personnel who have been instructed about the reasons for the restrictions to the location. Any and all precautions should be taken and controlled by the authority responsible for the location.

IMPORTANT SAFEGUARDS:

A) Elevated Operating Ambient - If installed in a closed or multi-unit rack assembly, the operating ambient temperature of the rack environment may be greater than room ambient. Therefore, consideration should be given to installing the equipment in an environment compatible with the maximum ambient temperature (T_{ma}) specified by the manufacturer.

B) Reduced Air Flow - Installation of the equipment in a rack should be such that the amount of air flow required for safe operation of the equipment is not compromised.

For Technical Support, Contact Your Nearest Communication Networks Office:

3 Corporate Drive • Danbury, CT 06810 • USA • Tel: 203-796-5300 • Toll Free: 1-888-678-9427 • www.comnet.net

8 Turnberry Park Road • Gildersome • Morley • Leeds, UK LS27 7LE • Tel: +44 (0)113 307 6400 • Fax: +44 (0)113 253 7462

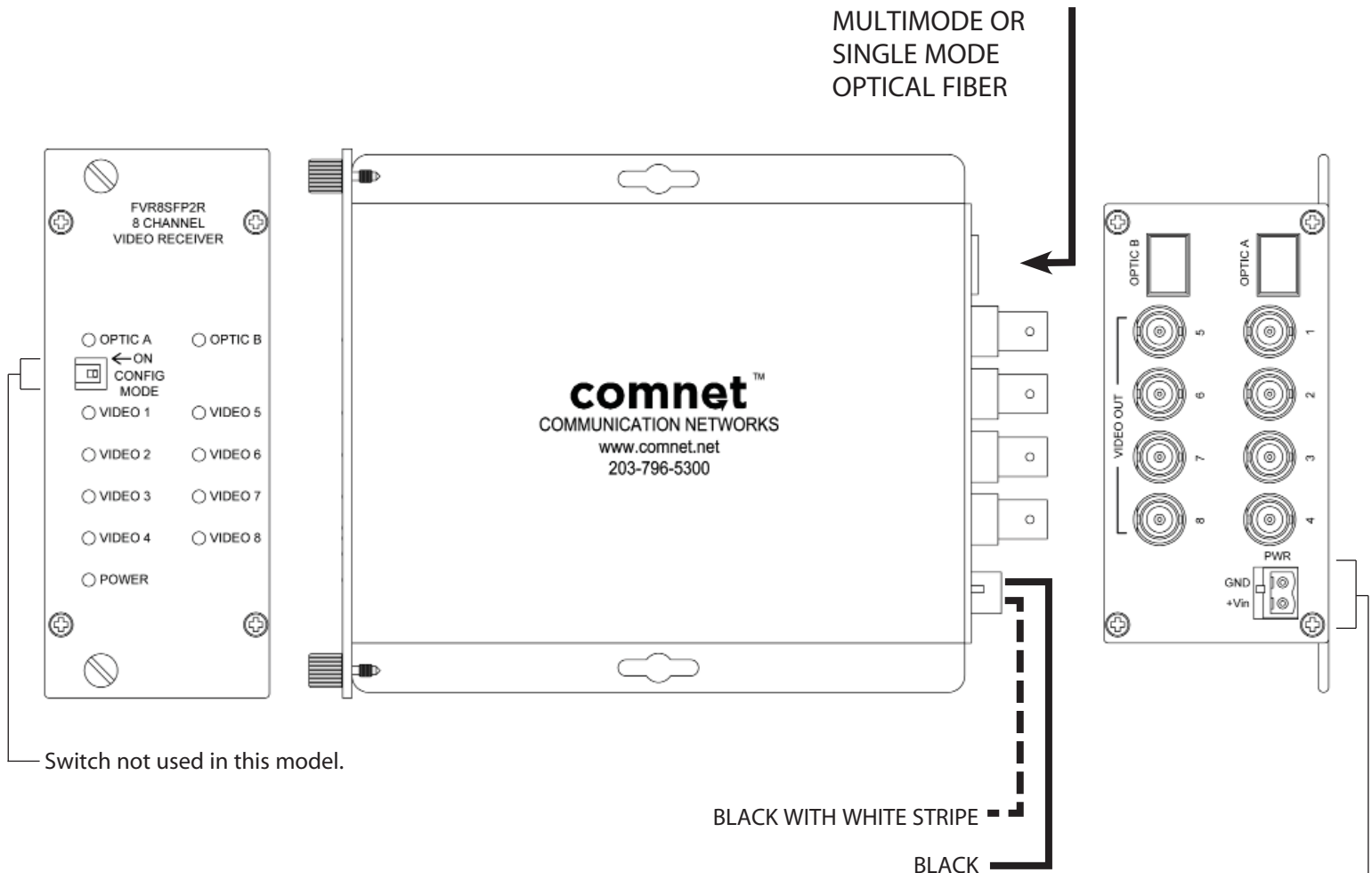
INS_FVT/FVR8SFP2R_REV-

08/19/09

Page 2

INSTALLATION INSTRUCTIONS

EIGHT CHANNEL DIGITAL VIDEO RECEIVER + REDUNDANT POINT-TO-POINT DUAL SMALL FORM-FACTOR PLUGGABLE (SFP) OPTICAL PORTS



NOTE: Remove Electrical Connector for Rack Mount Units

WARNING: Unit is to be used with a Listed Class 2 or LPS power supply rated 9-12 VDC @ 1A.

WARNING: This unit should be installed in a restricted access location; available through the use of a lock and key or other means of security. Access should be limited to service personnel who have been instructed about the reasons for the restrictions to the location. Any and all precautions should be taken and controlled by the authority responsible for the location.

IMPORTANT SAFEGUARDS:

A) Elevated Operating Ambient - If installed in a closed or multi-unit rack assembly, the operating ambient temperature of the rack environment may be greater than room ambient. Therefore, consideration should be given to installing the equipment in an environment compatible with the maximum ambient temperature (T_{ma}) specified by the manufacturer.

B) Reduced Air Flow - Installation of the equipment in a rack should be such that the amount of air flow required for safe operation of the equipment is not compromised.

For Technical Support, Contact Your Nearest Communication Networks Office:

3 Corporate Drive • Danbury, CT 06810 • USA • Tel: 203-796-5300 • Toll Free: 1-888-678-9427 • www.comnet.net

8 Turnberry Park Road • Gildersome • Morley • Leeds, UK LS27 7LE • Tel: +44 (0)113 307 6400 • Fax: +44 (0)113 253 7462

INS_FVT/FVR8SFP2R_REV-

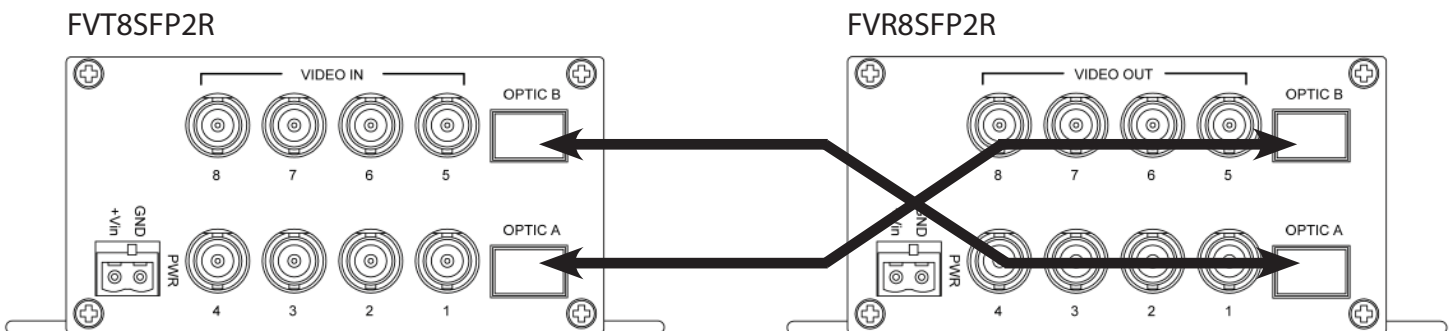
08/19/09

Page 3

EIGHT CHANNEL DIGITAL VIDEO TRANSMITTER + REDUNDANT POINT-TO-POINT DUAL SMALL FORM-FACTOR PLUGGABLE (SFP) OPTICAL PORTS

LED INDICATORS

	OPTIC	VIDEO	DATA IN	DATA OUT	POWER
GREEN	Activity	Activity	Activity	Activity	Unit powered up
RED	No Activity	No Activity	No Activity	No Activity	–
OFF	Unit powered down	Unit powered down	Unit powered down	Unit powered down	Unit powered down



For Technical Support, Contact Your Nearest Communication Networks Office:

3 Corporate Drive • Danbury, CT 06810 • USA • Tel: 203-796-5300 • Toll Free: 1-888-678-9427 • www.comnet.net

8 Turnberry Park Road • Gildersome • Morley • Leeds, UK LS27 7LE • Tel: +44 (0)113 307 6400 • Fax: +44 (0)113 253 7462

INS_FVT/FVR8SFP2R_REV-

08/19/09

Page 4