



INSTALLATION AND OPERATION MANUAL

CNFE1RPT[/PD][/M]

10/100 MBPS ETHERNET REPEATER WITH 60 W PASS-THROUGH POE

This manual serves the following ComNet Model Numbers:

CNFE1RPT
CNFE1RPT/PD
CNFE1RPT/M
CNFE1RPT/PD/M

The ComNet CNFE1RPT is an Ethernet repeater supporting up to 60 watts of Pass-through PoE, providing a simple and cost-effective way to extend Ethernet signals beyond the standard Ethernet 328 foot (100 meter) limit. The CNFE1RPT can be used to double the distance to 656 feet (200 meters) or multiple units can be combined in series with each unit providing an additional 328 feet (100 meters). The CNFE1RPT is powered by pass-through PoE from a PoE switch or midspan injector, requiring no local power. Low power consumption ensures that maximum power is made available to the remote PD device.

The standard configuration passes through the PoE to the next device, or as a /PD model, which acts as the final PoE unit in the chain and does not pass through the PoE.

Indicating LEDs are provided for rapidly ascertaining equipment operating status.

Figure 3 on **Page 2** describes the LED indicators for each light on the unit.

The mini CNFE1RPT units are stand-alone with a small footprint for use where space is extremely limited. They may optionally be DIN-rail mounted by the addition of ComNet model DINBKT4 adaptor. The CNFE1RPT/M compact tube design allows for direct installation within conduit or other small enclosures. See **Figure A** on **Page 3** for mounting instructions.

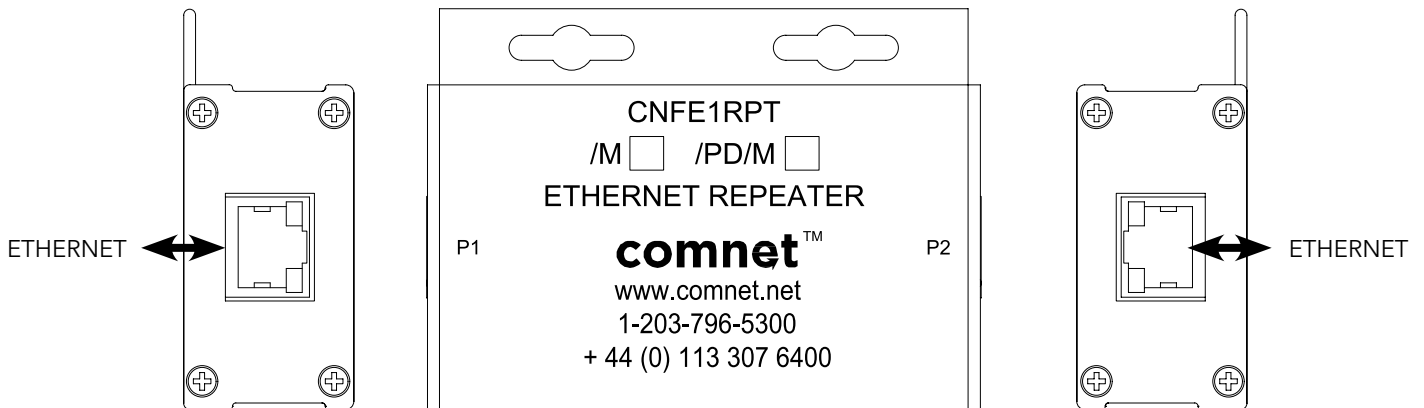
FIGURE 1 – CNFE1RPT[/PD] EXTENDER



Note: Ports are universal, and either can be used as in or out.

Power: Supplied by PSE
Power Consumption: <1 W

FIGURE 2 – CNFE1RPT[/PD]/M EXTENDER



Note: Ports are universal, and either can be used as in or out.

Power: Supplied by PSE
Power Consumption: <1 W

FIGURE 3 – INDICATING LEDS

	COPPER
GREEN	Solid - No Activity Blinking - Activity
YELLOW	Highest Data Rate (100Mb)

INSTALLATION CONSIDERATIONS

The CLFE1RPT[/PD]/M is supplied as a standalone/surface mount (mini size) module. The CLFE1RPT[/PD] is supplied as a 3.3 × 1.25 × 1.25 in (8.4 × 3.2 × 3.2 cm) tube module.

Units should be installed in dry locations protected from extremes of temperature and humidity.

WARNING: Unit is to be used with a Listed Class 2 power supply.

IMPORTANT SAFEGUARDS:

- A) Elevated Operating Ambient** - If installed in a closed or multi-unit rack assembly, the operating ambient temperature of the rack environment may be greater than room ambient. Therefore, consideration should be given to installing the equipment in an environment compatible with the maximum ambient temperature (T_{ma}) specified by the manufacturer.
- B) Reduced Air Flow** - Installation of the equipment in a rack should be such that the amount of air flow required for safe operation of the equipment is not compromised.

FIGURE A

Dimensions are for a small size module

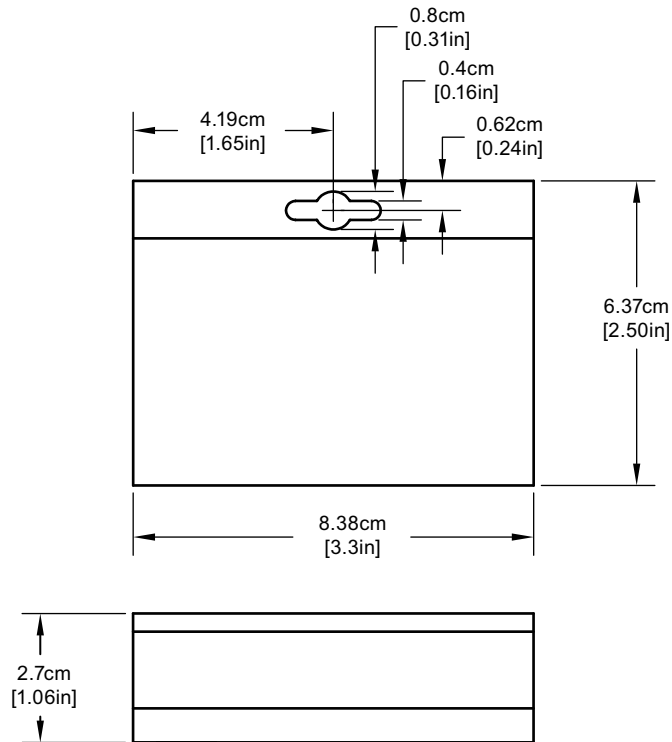


FIGURE B

Dimensions are for a tube module

